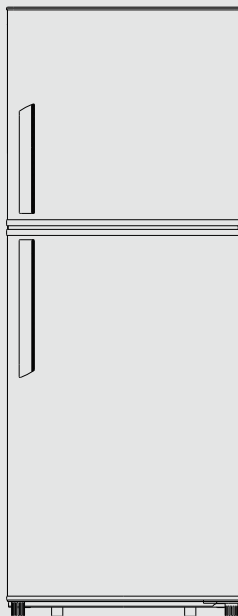


Premium

+ CU. FT. REFRIGERATOR
REFRIGERADOR + CU. FT.



This product is for domestic use only

Use & Care Manual
Important Safeguards

MODEL: PRN7005HW
MODELO: PRN7006HS

INDEX

IMPORTANT SECURITY WARNINGS.....	P.2
OVERVIEW.....	P.6
INSTALLATION.....	P.7
DAILY USE.....	P.9
PROBLEM SOLVING.....	P.14

IMPORTANT SAFETY SECURITY

In the interest of your safety and to ensure the correct use, before installing and first using the appliance, read this user manual carefully, including its hints and warnings. To avoid unnecessary mistakes and accidents, it is important to ensure that all people using the appliance are thoroughly familiar with its operation and safety features. Save these instructions and make sure that they remain with the appliance if it is moved or sold, so that everyone using it through its life will be properly informed on appliance use and safety. For the safety of life and property keep the precautions of these user's instructions as the manufacturer is not responsible for damages caused by omission.

CHILDREN AND VULNERABLE PEOPLE SAFETY

*This appliance can be used by children aged from 8 years and above and persons with reduced physical, sensory or mental capabilities or lack of experience and knowledge if they have been given supervision or instruction concerning use of the appliance in a safe way and understand the hazards involved.

*Children should be supervised to ensure that they do not play with the appliance.


*Cleaning and user maintenance shall not be made by children unless they are aged from 8 years and above and supervised.


*Keep all packaging well away from children. There is risk of suffocation.


*If you are discarding the appliance pull the plug out of the socket, cut the connection cable (as close to the appliance as you can) and remove the door to prevent playing children to suffer electric shock or to close themselves into it.

*If this appliance featuring magnetic door seals is to replace an older appliance having a spring lock (latch) on the door or lid, be sure to make that spring lock unusable before you


GENERAL SECURITY

 **WARNING!** Keep ventilation openings, in the appliance enclosure or in the built-in structure, clear of obstruction.

 **WARNING!** Do not use mechanical devices or other means to accelerate the defrosting process, other than those recommended by the manufacturer.

 **WARNING!** Do not damage the refrigerant circuit.

SECURITY INFORMATION

 **WARNING!** Do not use other electrical appliances (such as ice cream makers) inside of refrigerating appliances, unless they are approved for this purpose by the manufacturer.

*Do not store explosive substances such as aerosol cans with a flammable propellant in this appliance.

*The refrigerant isobutene (R600a) is contained within the refrigerant circuit of the appli-

ance, a natural gas with a high level of environmental compatibility, which is nevertheless flammable.

*During transportation and installation of the appliance, be certain that none of the components of the refrigerant circuit become damaged.

- Avoid open flames and sources of ignition.

- Thoroughly ventilate the room in which the appliance is situated.

*It is dangerous to alter the specifications or modify this product in any way. Any damage to the cord may cause a short circuit, fire and/or electric shock.

This appliance is intended to be used in household and similar applications such as:

- staff kitchen areas in shops, offices and other working environments;

- farm houses and by clients in hotels, motels and other residential type environments;

- bed and breakfast type environments;

- catering and similar non-retail applications.



WARNING! Any electrical components (plug, power cord, compressor and etc.) must be replaced by a certified service agent or qualified service personnel.

*Power cord must not be lengthened.

*Make sure that the power plug is not squashed or damaged because it may overheat and cause a fire.

*Make sure that you can come to the main plug of the appliance.

*Do not pull the main cable.

*If the power plug socket is loose, do not insert the power plug. There is a risk of electric shock or fire.

*You must not operate the appliance without the lamp.

*This appliance is heavy. Care should be taken when moving it.

*Do not remove nor touch items from the freezer compartment if your hands are damp/wet, as this could cause skin abrasions or frost/freezer burns.

*Avoid prolonged exposure of the appliance to direct sunlight.

DAILY USE

*Do not place hot foodstuffs on the plastic parts of the appliance.

*Do not place food products directly against the rear wall.

*Frozen food must not be re-frozen once it has been thawed out.

*Store pre-packed frozen food in accordance with the frozen food manufacturer's instructions.

*Appliance's manufacturer storage recommendations should be strictly adhered to. Refer to relevant instructions.

*Do not place carbonated drinks in the freezer compartment as it creates pressure on the container, which may cause it to explode, resulting in damage to the appliance.

*Ice cubes can cause frost burns if consumed straight from the appliance.

CARE AND CLEANING

*Before maintenance, switch off the appliance and disconnect the main plug from the main socket.

*Do not clean the appliance with metal objects.

*Do not use sharp objects to remove frost from the appliance. Use a plastic scraper.

*Regularly examine the drain in the refrigerator for defrosted water. If necessary, clean the drain. If the drain is blocked, water will collect in the bottom of the appliance.

INSTALATION

Important! For electrical connection carefully follow the instructions given in specific paragraphs.

*Unpack the appliance and check if there are damages on it. Do not connect the appliance if it is damaged. Report possible damages immediately to the authorized place you bought it.

*Adequate air circulation should be around the appliance, lacking this leads to overheating. To achieve sufficient ventilation follow the instructions relevant to installation.

*Wherever possible the spacers of the product should be against a wall to avoid touching or catching warm parts (compressor, condenser) to prevent possible burn.

*The appliance must not be located close to radiators or cookers.

*Make sure that the main plug is accessible after the installation of the appliance.

SERVICE

* Any electrical work required to do the servicing of the appliance should be carried out by a qualified electrician or competent person.

* This product must be serviced by an authorized Service Center, and only genuine spare parts must be used.

ENERGY SAVING

* Don't put hot food in the appliance;

* Don't pack food close together as this prevents air circulating;

* Make sure food don't touch the back of the compartment(s)

* If electricity goes off, don't open the door(s)

* Don't open the door(s) frequently;


* Don't keep the door(s) open for too long;


* Don't set the thermostat on exceeding cold temperatures;

* Some accessories, such as drawers, can be removed to get larger storage volume and lower energy consumption.


ENVIRONMENT PROTECTION



This appliance does not contain gases which could damage the ozone layer, in either its refrigerant circuit or insulation materials. The appliance shall not be discarded together with the urban refuse and rubbish. The insulation foam contains flammable gases: the appliance shall be disposed according to the appliance regulations to obtain from your local authorities. Avoid damaging the cooling unit, especially the heat exchanger. The materials used on this appliance marked by the symbol are  recyclable.

The symbol  on the product or on its packaging indicates that this product may not be treated as household waste. Instead it should be taken to the appropriate collection point for the recycling of electrical and electronic equipment. By ensuring that this product is disposed correctly, you will help prevent potential negative consequences for the environment and human health, which could otherwise be caused by inappropriate waste handling. For more detailed information about recycling of this product, please contact your local council, your household waste disposal service or the shop where you purchased the product.

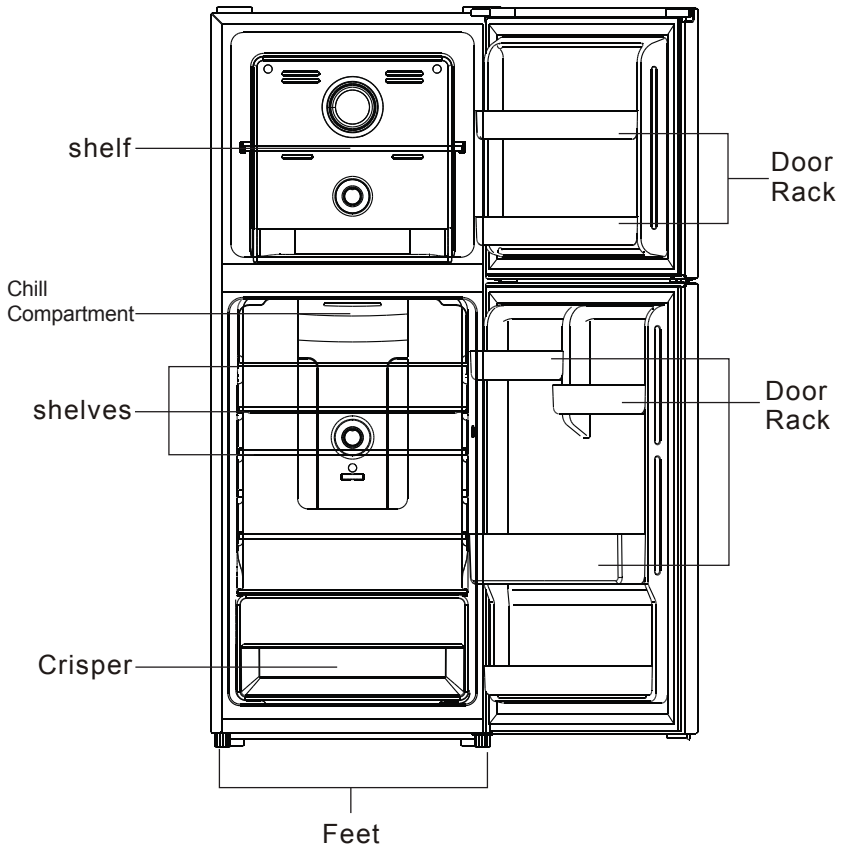
PACKAGING MATERIALS

The materials with the symbol  are recyclable. Dispose the packaging in a suitable collection container to recycle it.

DISPOSAL OF THE APPLIANCE

1. Disconnect the main plug from the main socket.
2. Cut off the main cable and discard it.

OVERVIEW

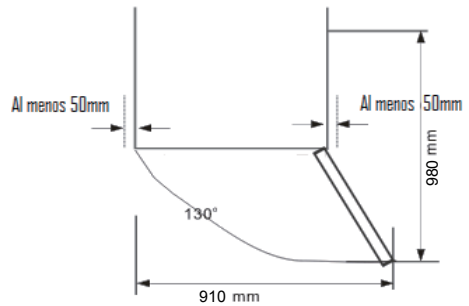
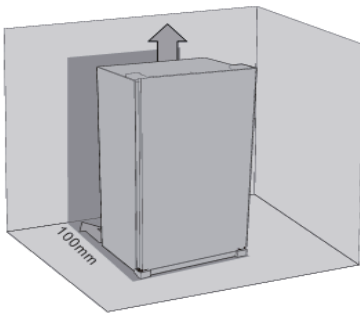


INSTALLATION

INSTALLATION

Space Requirements

- * Select a location away from direct sunlight exposure.
- * Select a location with enough space for the doors to open easily.
- * Select an accurate leveling place (or almost leveled);
- * Leave enough space to install the refrigerator on the leveled surface.
- * Leave right, left, back and superior area space when installing. This may help for power saving and maintain a lower energy bill.



Level the refrigerator

Leveling per unit

For this, adjust both feet

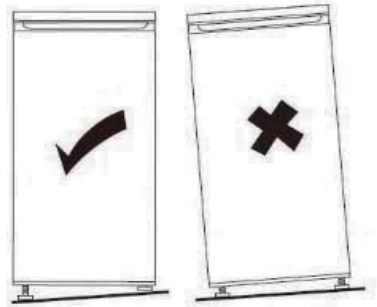
Levelers

A front of the unit

If the unit is not leveled, the doors and sealed line up

Magnetics

Will not be properly covered.



POSITIONING

Install this appliance at a location where the ambient temperature corresponds to the climate class indicated on the rating plate of the appliance:

Climate class	Ambient temperature
SN	+10°C to +32°C
N	+16°C to +32°C
ST	+16°C to +38°C
T	+16°C to +43°C

Location: The appliance should be installed well away from sources of heat such as radiators, boilers, direct sunlight etc. Ensure that air can circulate freely around the back of the cabinet and the wall unit must be at least 100 mm. Ideally, however, the appliance should not be positioned below overhanging wall units. Accurate leveling is ensured by one or more adjustable feet at the base of the cabinet.



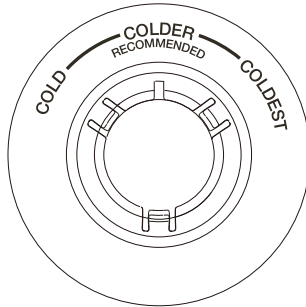
Warning! It must be possible to disconnect the appliance from the main power supply; the plug must therefore be easily accessible after installation.

DAILY USE

Using the Control Panel

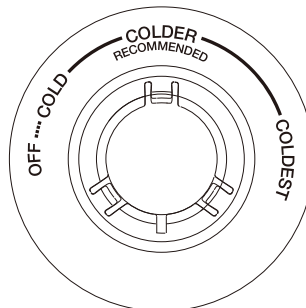
Freezer compartment Temperature Setting

- Plug on your appliance. The internal temperature is controlled by a sensor. There are 3 settings: COLD, COLDER and COLDEST.
- The appliance may not operate at the correct temperature if it is in a particularly hot or if you open the door often.



Fridge compartment Temperature Setting

- Plug on your appliance. The internal temperature is controlled by a sensor. There are 4 settings: OFF, COLD, COLDER and COLDEST. COLD is warmest setting and COLDEST is coldest setting, OFF is off.
- The appliance may not operate at the correct temperature if it is in a particularly hot or if you open the door often.
- Neither fridge or freezer compartment works when the setting is OFF.



- Temperature range for fridge compartment: $0 < T \leq 9$ °C

FIRST USE

Cleaning the interior

Before using the appliance for the first time, wash the interior and all internal accessories with lukewarm water and some neutral soap so as to remove the typical smell of a brand new product, then dry thoroughly.

Important! Do not use detergents or abrasive powders, as these will damage the finish.

DAILY USE

Freezing fresh food:

*The freezer compartment is suitable for freezing fresh food and storing frozen and deep-frozen food for a long time.

*Place the fresh food to be frozen in the freezer compartment.

*The maximum amount of food that can be frozen in 24 hours is specified on the rating plate.

*The freezing process lasts 24 hours: during this period do not add other food to be frozen.

Storing frozen food:

When first starting-up or after a period out of use, before putting the product in the compartment let the appliance run at least 2 hours on the higher settings.

Important! In the event of accidental defrosting, for example the power has been off for longer than the value shown in the technical characteristics chart under “rising time”, the defrosted food must be consumed quickly or cooked immediately and then re-frozen (after cooked).

Thawing:

Deep-frozen or frozen food, prior to be used, can be thawed in the fridge compartment or at room temperature, depending on the time available for this operation. Small pieces may even be cooked still frozen, directly from the freezer. In this case, cooking will take longer.

Ice-cube:

This appliance may be equipped with one or more ice-cube to produce ice.

ACCESSORIES

Movable shelves

The walls of the refrigerator are equipped with a series of runners so that the shelves can be positioned as desired.

Positioning the door balconies

To permit storage of food packages of various sizes, the door balconies can be placed at different heights. To make these adjustments proceed as follows: gradually pull the balcony in the direction of the arrows until it comes free, then reposition as required.



Useful advice if necessary

To help you make the most of the freezing process, here are some important hints:

- * The maximum quantity of food which can be frozen in 24 hrs. is shown on the rating plate;
- * The freezing process takes 24 hours. No further food to be frozen should be added during this period;
- * Only freeze top quality, fresh and thoroughly cleaned, foodstuffs;
- * Prepare food in small portions to enable it to be rapidly and completely frozen and to make it possible subsequently to thaw only the quantity required;
- * Wrap up the food in aluminum foil or polythene and make sure that the packages are airtight;
- * Do not allow fresh, unfrozen food to touch food which is already frozen, thus avoiding a rise in temperature of the latter;
- * Lean foods store better and longer than fatty ones; salt reduces the storage life of food;
- * Water ices, if consumed immediately after removal from the freezer compartment, can possibly cause the skin to be freeze burnt;
- * It is advisable to show the freezing in date on each individual pack to enable you removal from the freezer compartment, can possibly cause the skin to be freeze burnt;
- * It is advisable to show the freezing in date on each individual pack to enable you to keep tab of the storage time.

Hints for storage of frozen food

To obtain the best performance from this appliance, you should:

Make sure that the commercially frozen foodstuffs were adequately stored by the retailer; be sure that frozen foodstuffs are transferred from the food store to the freezer in the shortest possible time; do not open the door frequently or leave it open longer than absolutely necessary.

Once defrosted, food deteriorates rapidly and cannot be re-frozen;

Do not exceed the storage period indicated by the food manufacture.

Hints for fresh food refrigeration

To obtain the best performance:

- * Do not store warm food or evaporating liquids in the refrigerator
- * Do cover or wrap the food, particularly if it has a strong flavor.

Refrigeration hints

Useful advice:


- * Make (all types): wrap in polythene bags and place on the glass shelves above the vegetable drawer.
- * For safety, store in this way only one or two days at the most.
- * Cooked foods, cold dishes, etc...: these should be covered and may be placed on any shelf.
- * Fruit and vegetables: these should be thoroughly cleaned and placed in the special drawer(s) provided at the bottom.
- * Butter and cheese: these should be placed in special airtight containers or wrapped in

aluminum foil or polythene bags to exclude as much air as possible.

*Milk bottle: these should have a cap and should be stored in the balconies on the door.
Bananas, potatoes, onions and garlic, if not packed, must not be kept in the fridge.

Cleaning

For hygienic reasons the appliance interior, including interior accessories, should be cleaned regularly.

 **Caution!** The appliance may not be connected to the main during cleaning. Danger of electrical shock! Before cleaning switch the appliance off and remove the plug from the main, or switch off or turn out the circuit breaker or fuse. The appliance must be dry before it is placed back into service.

Important! Ethereal oils and organic solvents can attack plastic parts, for example, lemon or orange juice, butyric acid, cleanser that contain acetic acid.

*Do not allow such substances to come into contact the appliance parts.

*Do not use any abrasive cleaners

* Remove the food from the freezer. Store them in a cool place, well covered.

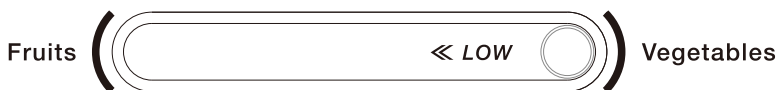
*Switch the appliance off and remove the plug from the main, or switch off or turn out the circuit breaker of fuse.

*Clean the appliance and the interior accessories with a cloth and lukewarm water. After cleaning wipe with fresh water and rub dry.

*After everything is dry place appliance back into service.

Setting the humidity in the Crisper:

- Low humidity: move the regulator to the left
- High humidity: move the regulator to the right



PROBLEM SOLVING

Caution! Before troubleshooting, disconnect the power supply. Only a qualified electrician or competent person must do the troubleshooting that is not in this manual.

Important! There are some sounds during normal use (compressor, refrigerant circulation).

Problem	Possible cause	Solution
Appliance does not work	Mains plug is not plugged in or is loose	Insert mains plug.
	Fuse has blown or is defective	Check fuse, replace if necessary.
	Socket is defective	Mains malfunctions are to be corrected by an electrician.
The food is too warm.	Temperature is not properly adjusted.	Please look in the initial Temperature Setting section.
	Door was open for an extended period.	Open the door only as long as necessary.
	A large quantity of warm food was placed in the appliance within the last 24 hours.	Turn the temperature regulation to a colder setting temporarily.
	The appliance is near a heat source.	Please look in the installation location section.
Appliance cools too much	Temperature is set too cold.	Turn the temperature regulation knob to a warmer setting temporarily.
Unusual noises	Appliance is not level.	Re-adjust the feet.
	The appliance is touching the wall or other objects.	Move the appliance slightly.
	A component, e.g. a pipe, on the rear of the appliance is touching another part of the appliance or the wall.	If necessary, carefully bend the component out of the way.
Water on the floor	Water drain hole is blocked.	See the Cleaning and Care section.
Side panels are hot	It's normal. Heat exchange is in the side panels	It's normal

If the malfunction shows again, contact the Service Center.

ÍNDICE

INFORMACIÓN DE SEGURIDAD.....	P.2
PARTES DE LA REFRIGERADORA.....	P.6
INSTALACIÓN.....	P.7
USO DIARIO.....	P.9
SOLUCIÓN DE PROBLEMAS.....	P.14

INFORMACIÓN DE SEGURIDAD

En interés de su seguridad y para asegurar el uso correcto, antes de instalar y primero de utilizar el aparato, lea este manual del usuario, incluidos los consejos y advertencias. Para evitar errores y accidentes innecesarios, es importante asegurarse de que todas las personas que utilicen el aparato estén perfectamente al tanto con sus características de operación y seguridad. Guardar estas instrucciones y no olvide mantenerlas junto al aparato en caso de su desplazamiento o venta para que quienes lo utilicen a lo largo de su vida será informado adecuadamente sobre el uso del aparato y la seguridad. Por la seguridad de vidas y bienes guardar este manual de instrucciones por que el fabricante no se hace responsable de los daños causados por omisión.

LOS NIÑOS Y LAS PERSONAS VULNERABLES POR SU SEGURIDAD

* Este aparato puede ser utilizado por niños de 8 años o más y las personas con capacidades físicas, sensoriales o mentales reducidas o falta de experiencia y conocimiento, si se les ha dado la supervisión de la instrucción sobre el uso del aparato por una persona responsable de su seguridad.

* Los niños deben ser supervisados para asegurarse de que no jueguen con el aparato.

* En la limpieza y el mantenimiento, el usuario no debe dejar que los niños esten cerca a menos que sean de edades comprendidas entre 8 años y por encima y supervisados.

* Mantener los materiales de embalaje alejados de los niños. Existe riesgo de asfixia.

* Si usted va a desechar el aparato tire de la clavija de la toma de corriente, corte el cable de conexión (tan cerca del aparato como pueda) y retire la puerta para evitar que los niños jugar o sufran una descarga eléctrica o cerrando a sí mismos en ella.

* Este aparato cuenta con un sello de puerta magnética para reemplazar un aparato más antiguo con cierre de muelle (pestillo) en la puerta o tapa, asegúrese de hacer el cierre de muelle inservible, antes de deshacerse del viejo electrodoméstico. Esto evitará que se convierta en una trampa mortal para un niño.

SEGURIDAD GENERAL



Advertencia! mantenga las aberturas de ventilación en el recinto del aparato o en la estructura construida, sin obstáculos.



Advertencia! no utilice dispositivos mecánicos u otros medios para acelerar el proceso de descongelación, que no sean los recomendados por el fabricante.



Advertencia! no dañar el circuito refrigerante.



Advertencia! No utilice otros aparatos eléctricos (como máquinas de hacer helados) en el interior de los aparatos de refrigeración, a menos que estén aprobados para este fin por la fabricación.

*No almacene sustancias explosivas, tales como latas de aerosol con un repelente inflamable en este aparato.

*El refrigerante isobutano (R600a) es un contenido dentro del circuito de refrigerante del aparato, un gas natural con un alto nivel de compatibilidad medioambiental, aunque es inflamable.

*Durante el transporte y la instalación del aparato tener la certeza de que ninguno de los componentes del circuito de refrigerante este dañado.

- Evitar las llamas y fuentes de ignición abiertas
- Ventilar bien la habitación en la que el aparato se encuentra

*Es peligroso alterar las especificaciones o modificar este producto en modo alguno, cualquier daño en el cable puede causar un cortocircuito, un incendio y/o descargas eléctricas. Este aparato está destinado para ser utilizado en el hogar y otras aplicaciones similares, tales como:

- Áreas de cocina personal en tiendas, oficinas y otros ambientes de trabajo;
- Casas de campo y para los clientes en hoteles, moteles y otros entornos de tipo residencial;
- Cama y desayuno tipo entornos;
- Restauración y aplicación similar no menor.



Advertencia! Los componentes eléctricos (enchufes, cables de alimentación, compresores, etc.) deben ser sustituidos por un agente de servicio autorizado o personal de servicio calificado.

* Cable de alimentación no debe ser alargado.

* Asegúrese de que el cable de alimentación no esté roto o el enchufe de alimentación dañado puede recalentarse y provocar un incendio.

* Asegúrese de que se puede llegar a el enchufe del aparato.

* No tire del cable de red.

* La toma de corriente está suelto, no inserte la clavija de alimentación. Existe el riesgo de una descarga eléctrica o un incendio.

* No debe utilizar el aparato sin la lámpara.

* Este aparato es pesado. Se debe tener cuidado cuando lo mueva.

* No extraiga ni toque los artículos en el congelador si sus manos están húmedas ya que esto podría causar abrasiones de la piel o de la helada/quemaduras del congelador

* Evitar la exposición prolongada del aparato a la luz solar directa.

USO DIARIO

* No coloque nada caliente en la parte plástica del aparato.

* No coloque el producto directamente contra la pared trasera.

* Alimentos congelados no debe ser recongelado una vez que ha sido descongelados.

* Tienda de pre-empaquetado de alimentos congelados de acuerdo con las instrucciones del fabricante de alimentos congelados

* Las recomendaciones de almacenamiento de la fabrica deben ser estrictamente respetados. Consulte las instrucciones pertinentes.

* No coloque bebidas gaseosas en el congelador, ya que crea la presión en el envase, ya

que puede ocasionar que explote, y podría dañar el aparato.

* Los hielos pueden causar quemaduras si se consumen directamente desde el dispositivo.

CUIDADO Y LIMPIEZA

* Antes del mantenimiento, apague el aparato y desconecte el enchufe de la toma de corriente.

* No limpie el aparato con objetos metálicos

* No utilice objetos afilados para eliminar la escarcha del aparato. Usar una espátula de plástico

* Examinar periódicamente el desagüe en el refrigerador por agua descongelada.

Si es necesario, limpie el desagüe. Si el desagüe está obstruido, el agua se acumula en la parte inferior del aparato.

INSTALACIÓN

Importante! Para la conexión eléctrica siga cuidadosamente las instrucciones dadas en los párrafos específicos.

* Desembalar el aparato y comprobar si hay daños en ella. No conecte el aparato si está dañado. Reportar posibles daños de inmediato al lugar donde lo compró o en un centro autorizado.

* Circulación de aire adecuada debe ser alrededor del aparato, la falta de esto conduce a un sobrecalentamiento. Para lograr suficiente ventilación siga las instrucciones pertinentes a la instalación.

* Siempre que sea posible el producto debe estar contra la pared para evitar que se alcance o toquen las zonas cálidas (compresor, condensador) para evitar posibles quemaduras.

* El aparato no debe ser situado cerca de radiadores u hornos.

* Asegúrese de que el enchufe sea accesible después de la instalación del aparato.

SERVICIO

*Cualquier trabajo eléctrico requerido que tenga que ver con el mantenimiento del aparato debe ser realizada por un electricista o técnico especializado.

* Este producto debe ser reparado por un centro de servicio autorizado, y sólo repuesto originales debe ser utilizado.

EL AHORRO DE ENERGÍA

* No coloque alimentos calientes en el aparato;

* No junte paquetes de alimentos ya que esto impide la circulación del aire;

* Asegúrese que los alimentos no toquen la parte posterior de los compartimientos (S)

* Si la electricidad se apaga, no abra la puerta (S)

* No abra la puerta (S) con frecuencia.


* No mantenga la puerta (S) abierta durante demasiado tiempo;


* No ajuste el termostato en un nivel muy bajo de temperatura;

* Algunos accesorios, como cajones, se pueden quitar para obtener mayor volumen de almacenamiento y consumo de energía más bajo.


PROTECCIÓN AMBIENTAL



Este aparato no contiene gases que puedan dañar la capa de ozono, en el circuito refrigerante o materiales de aislamiento. el aparato no deberá desecharse junto con la basura urbana. La espuma aislante contiene gases inflamables: el aparato deberá desecharse de acuerdo con las regulaciones de electrodomésticos de las autoridades locales. Evitar daños en especial en los materiales. Si este producto esta marcado con el símbolo  es reciclable la unidad de refrigeración.

El símbolo  indica que este producto no se puede tratar como residuo doméstico. Sino que debe ser llevado a un punto de recogida adecuado para el reciclaje de aparatos eléctricos y electrónicos .por asegurar esto se desecha correctamente, usted ayudará a evitar posibles consecuencias negativas para el medio ambiente y la salud humana, que podrían derivarse de la incorrecta manipulación de este producto. Para obtener información más detallada sobre el reciclaje de este producto, por favor póngase en contacto con su ayuntamiento, el punto de recogida más cercano o el establecimiento donde adquirió el producto.

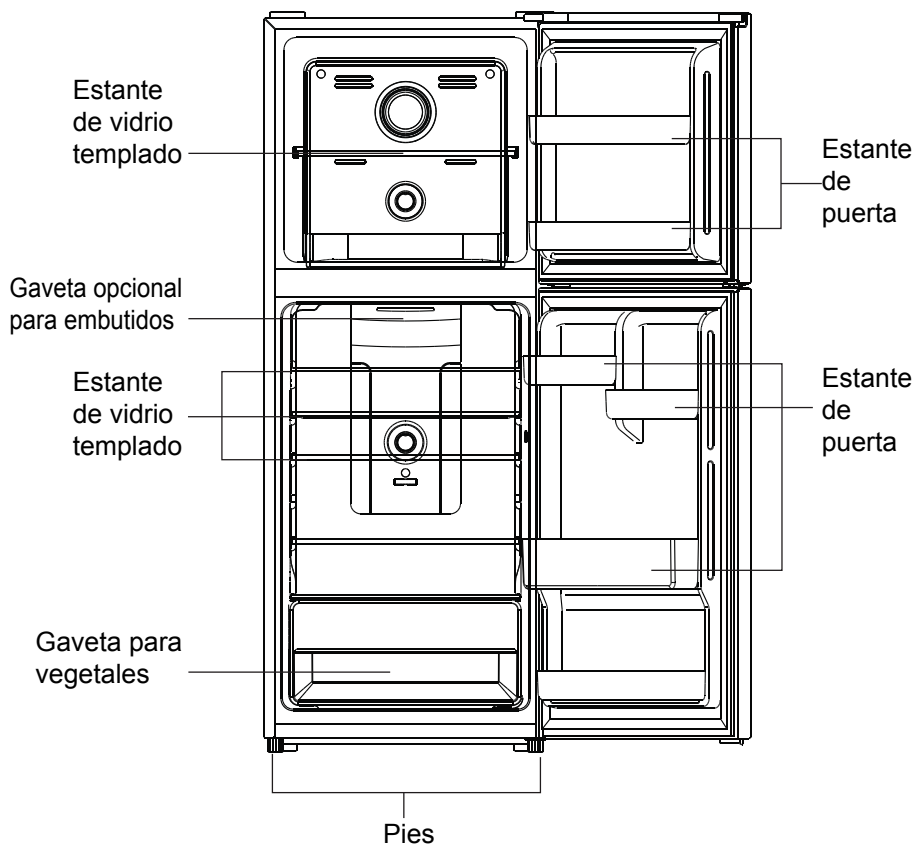
MATERIAL DE EMBALAJE

Los materiales con el símbolo  son reciclables. Deseche el embalaje en el recipiente de recogida adecuado para reciclarlo.

DISPOSICIÓN DEL APARATO

1. Desconecte el enchufe de la toma de corriente.
2. Corte el cable de red y lo descarta.

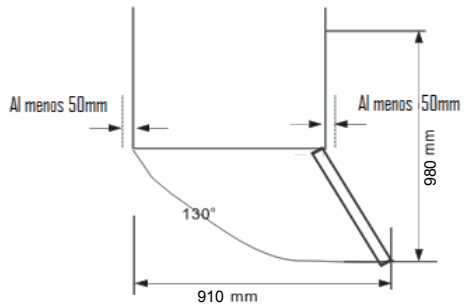
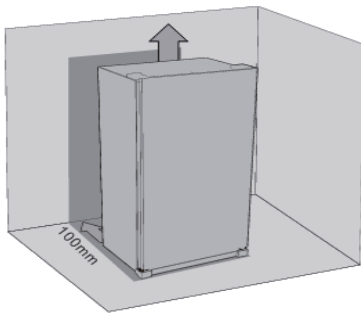
PARTES DE LA REFRIGERADORA



INSTALACIÓN

REQUISITO DE ESPACIO

- * Seleccione ubicación sin exposición directa a la luz solar
- * Seleccionar una ubicación con espacio suficiente para que las puertas del refrigerador puedan abrir fácilmente;
- * Seleccionar un lugar con un nivel (o casi nivelado);
- * Dejar espacio suficiente para instalar el refrigerador en una superficie plana
- * Dejar espacio a la derecha, la izquierda, la espalda y la parte superior cuando se instala. Esto ayudará a reducir el consumo de energía y mantener sus facturas de energía más baja.

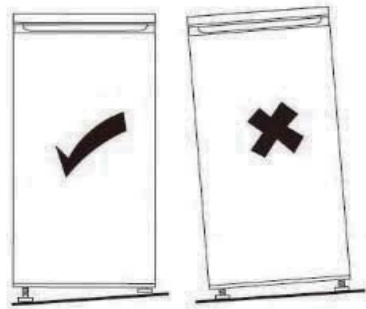


NIVELAR EL REFRIGERADOR

La nivelación de la unidad

Para ello ajustar los dos pies niveladores un frente de la unidad

Si la unidad no es nivelada, las puertas y las alineaciones de sellado magnéticos no serán cubiertos adecuadamente.



POSICIONAMIENTO

Instalar este aparato en un lugar donde la temperatura ambiente corresponde a la clase climática indicada en la placa de características del aparato:

clase climática	Temperatura ambiente
SN	+10°C A +32° C
N	+16 °C A +31° C
ST	+16°C A +38° C
T	+16° C A + 43° C

Localización: El aparato debe instalarse lejos de fuentes de calor, como radiadores, calderas de la luz solar directa, etc. asegurarse de que haya circulación de aire alrededor de la parte posterior del gabinete. Para asegurar el mejor rendimiento, si el aparato se coloca debajo de un mueble de pared colgante, la distancia mínima entre la parte superior del gabinete y la unidad de la pared debe estar a 100 mm. Lo ideal, sin embargo, el aparato no debe ser colocado debajo de unidades de pared. Nivelación exacta está asegurada por uno o más pies ajustables en la base del armario.



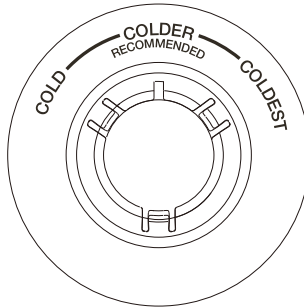
Advertencia! debe ser posible desconectar el aparato de la red eléctrica; por tanto, el enchufe debe ser fácilmente accesible después de la instalación.

USO DIARIO

Utilizando el panel de control

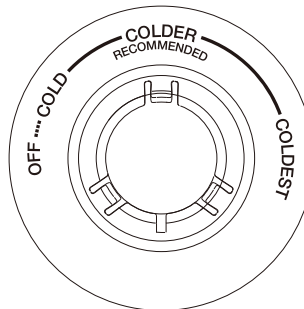
AJUSTE DE TEMPERATURA DEL CONGELADOR

- Conecte su aparato. La temperatura interna es controlada por un sensor. Existen 3 ajustes: FRIO (COLD), MEDIO (COLDER) y CONGELADO (COLDEST).
- El aparato puede no funcionar a la temperatura correcta si está en un lugar particularmente caliente o si abre la puerta a menudo.



AJUSTE DE TEMPERATURA DEL REFRIGERADOR

- Conecte su aparato. La temperatura interna es controlada por un sensor. Existen 4 ajustes: APAGADO (OFF), FRIO (COLD), MEDIO (COLDER) y CONGELADO (COLDEST). El ajuste de FRIO (COLD) es el más caliente y CONGELADO (COLDEST) es el ajuste más frío.
- El aparato puede no funcionar a la temperatura correcta si está en un lugar particularmente caliente o si abre la puerta a menudo.
- Ni el refrigerador ni el congelador funcionan cuando el ajuste está APAGADO (OFF).



PRIMER USO

La limpieza del interior

Antes de utilizar el aparato por primera vez, lave el interior y todas las partes internas con agua tibia y jabón neutro, a fin de eliminar el característico olor de un nuevo producto de la marca, y luego secar bien.

Importante! no utilice detergente ni polvos abrasivos, ya que dañarán el acabado.

USO DIARIO

Alimentos frescos de congelación

* El compartimiento del congelador es adecuado para congelar alimentos frescos y el almacenamiento de alimentos congelados y ultra congelados durante mucho tiempo

* Lugar la comida fresca o congelada en el compartimiento inferior

* Se especifica la cantidad máxima de alimentos que se pueden congelar en 24 hrs en la placa.

* El proceso de congelación dura 24 horas: durante este período no añadir otros alimentos a congelar.

Almacenar alimentos congelados:

Cuando se empieza o después de un período de uso. Antes de poner el producto en el compartimiento de dejar que el aparato funcione por lo menos 2 horas en los ajustes más altos

Importante!

en caso de descongelación accidental, por ejemplo, el poder ha estado fuera más largo que el valor mostrado en las características técnicas trazar en "tiempo de ascenso" el alimento descongelado debe consumirse rápidamente o cocinados inmediatamente y luego volver a congelar (después de cocido)

Descongelación:

Alimentos ultra congelados, antes de ser utilizado. Se pueden descongelar en el compartimiento congelador o a temperatura ambiente, dependiendo del tiempo disponible para esta operación. Piezas pequeñas pueden incluso ser cocinados todavía congelado, directamente del congelador. En este caso, se necesitará más tiempo de cocción.

Cubo de hielo:

Este aparato puede estar equipado con uno o más cube hielo para producir hielo.

ACCESORIOS

Estanterías móviles

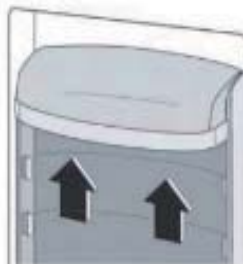
Las paredes de la nevera están equipadas con una serie de corredores para que los estantes se puedan colocar si lo desea.



El posicionamiento de los balcones de la puerta

Para permitir el almacenamiento de los paquetes de alimentos de diversos tamaños, los balcones de las puertas se pueden colocar a diferentes alturas.

De operación se efectúa de la siguiente manera: Tire gradualmente el balcón en la dirección de las flechas hasta que se libere, a continuación, cambiar la posición según sea necesario.



Consejos útiles y consejos

Consejos para la congelación
Según sea necesario

Para ayudarle a hacer la mayor parte del proceso de congelación. Aquí hay algunos consejos importantes:

- * La cantidad máxima de alimentos que se pueden congelar en 24 horas. .es se muestra en la placa;
- * El proceso de congelación dura 24 horas. Sin más alimentos a congelar debe añadirse durante este período;
- * Sólo congelar calidad, fresca y bien. Alimentos frescos y completamente limpios;
- * Preparar la comida en pequeñas porciones para que pueda ser rápida y completamente congelado y para hacer posible posteriormente a descongelar sólo la cantidad necesaria
- * Envolver los alimentos en papel de aluminio o de polietileno de aluminio y asegúrese de que los paquetes son herméticos;
- * No permita que alimentos frescos y sin congelar tocar alimentos que ya está congelado, evitando así un aumento de la temperatura de este último
- * Alimentos magros almacenar mejor y más tiempo que las grasas; sal reduce la vida útil de almacenamiento de los alimentos;
- * Hielo de agua, si se consume inmediatamente después de la eliminación del compartimento congelador, puede posiblemente causar quemaduras fuerte
- * Es aconsejable para mostrar la fecha de congelación en cada envase individual para permitir la retirada del compartimento congelador, de manera oportuna
- * Es recomendable mostrar la fecha de congelación en cada envase individual para que pueda mantener la ficha del tiempo de almacenamiento

Consejos para el almacenamiento de alimentos congelados

Para obtener el mejor rendimiento de este aparato, usted debe:

Asegurarse de que los productos alimenticios comercialmente congelados fueron almacenados adecuadamente por el minorista, asegúrese de que los alimentos congelados se transfieren desde la tienda al congelador en el menor tiempo posible; no abra la puerta con frecuencia o dejarlo loger abierto que sea absolutamente necesario.

Una vez descongelados, los alimentos se deterioran rápidamente y no se puede volver a congelar.

No superen el periodo de almacenamiento indicado por la fabricación de alimentos.

Consejos para refrigeración de alimentos fresco

Para obtener el mejor rendimiento:

- * No comidas calientes o líquidos se evaporan en el refrigerador
- * Hacer la cubierta o envuelva los alimentos, sobre todo si tiene un sabor fuerte.

Consejos para la refrigeración

Consejos útiles:

- * Hacer (todos los tipos): envuelto en bolsas de plástico y colocada en los estantes de vidrio por encima del cajón de las verduras.

* Para la seguridad, la tienda de esta manera sólo uno o dos días a lo sumo.

* Alimentos cocinados, platos fríos, etc. éstos deben ser cubiertos y se pueden colocar en cualquier estante

* Frutas y verduras: éstos deben limpiarse y se coloca en el cajón (s) especial prevista a fondo.

* Mantequilla y queso: deben colocarse en los recipientes adecuados o envueltos en papel de aluminio o de polietileno de aluminio bolsas de excluir el aire tanto como sea posible.

* Botella de leche: estos deben tener una tapa y deben ser almacenados en los balcones en la puerta.* Plátanos, patatas, cebollas y ajo, si no está llena, no debe estar en la nevera.

Limpeza



Por razones higiénicas los accesorios interiores del aparato, debe limpiarse con regularidad

Precaución! el aparato no se puede conectar a la red eléctrica durante la limpieza. Peligro de eléctrica

Choque antes de la limpieza apagar el aparato y retire el enchufe de la red eléctrica o apagar o encender el interruptor de circuito o fusible. . Nunca limpie el aparato debe estar seco antes de colocarlo de nuevo en servicio.

Importante! Aceites etéreos y disolventes orgánicos pueden atacar a las piezas de plástico, por ejemplo, jugo de limón o la naranja forma de jugo, ácido butírico, limpiadores que contienen ácido acético

* No permiten este tipo de sustancias que entran en contacto con las partes de electrodomésticos.

* No utilice limpiadores abrasivos.

* Retire los alimentos del congelador. Guárdelos en un lugar fresco y bien cubierto.

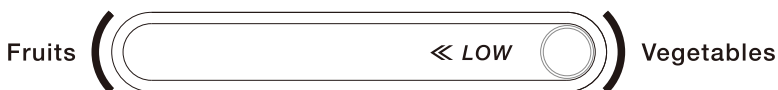
* Apagar el aparato y retire el enchufe de la red eléctrica o apagar o encender el fusible interruptor.

* Limpiar el aparato una de los accesorios interiores con un paño y agua tibia. Después de la limpieza limpie con agua dulce y frote seco.

* Después de todo está seco, conecte el aparato a la red eléctrica y entonces puede usar el aparato.

AJUSTE DE HUMEDAD EN LAS GAVETAS:

- Humedad baja: mueva el regulador a la izquierda
- Humedad Alta: Mueva el regulador a la derecha:



SOLUCIÓN DE PROBLEMAS

Precaución! antes de la resolución de problemas, desconecte la fuente de alimentación. Sólo un electricista o técnico especializado deben hacer la solución de problemas que no se encuentra en este manual.

Importante! habrá de peso corporal algún sonido / ruido durante el funcionamiento normal (compresor o refrigerante circulación)

Problema	Causa posible	Solución
Aparato no funciona	Enchufe de alimentación no está enchufado o está suelto	enchufe de la red de inserción
	fusible se ha fundido o es defectuoso	revise el fusible, reemplace si es necesario
	enchufe es defectuoso	mal funcionamiento de red deben ser corregido por un electricista
La comida no está congelada suficiente	la temperatura es demasiado Fría o el aparato funciona a modo de súper.	gire el regulador de temperatura a un ajuste más tibio temporalidad
La comida no está congelada suficiente	la temperatura no está ajustada Correctamente.	por favor busque en la sección inicial de ajuste de la temperatura
	puerta estaba abierta por un período prolongado	abrir la puerta sólo mientras sea necesario
	una gran cantidad de comida caliente se colocó en el aparato con las últimas 24 horas	gire la regulación de la temperatura a un ajuste más frío temporalmente
	El aparato cerca de una fuente de calor.	por favor busque en la sección de ubicación de la instalación
Pesada acumulación de escarcha	sello de la puerta no es hermética	calentar cuidadosamente las secciones con fugas de la junta de la puerta con un secador de pelo (En un entorno frío). al mismo tiempo, dar forma a la junta de la puerta calentado por la mano de tal manera que se asienta correctamente
Ruidos extraños	aparato no está nivelado	Reajustar los pies.
	el aparato está en contacto con la pared u otro objeto	mueva el aparato ligeramente
	un componente, por ejemplo, un tubo, en la parte posterior del aparato está tocando otra parte de los aparatos o la pared	si es necesario, doblar cuidadosamente el componente fuera del camino

si el mal funcionamiento se muestra de nuevo, póngase en contacto con el centro de servicio

The logo for 'Premium' features the word in a serif font, with three horizontal lines above the 'i'. The text is enclosed in a white oval shape that is partially cut off by the right edge of the page. A thin black line arches over the top of the oval.

Premium

Manual de uso y cuidado
Precauciones importantes

Este producto es para uso doméstico únicamente.

CKPEM-M01