

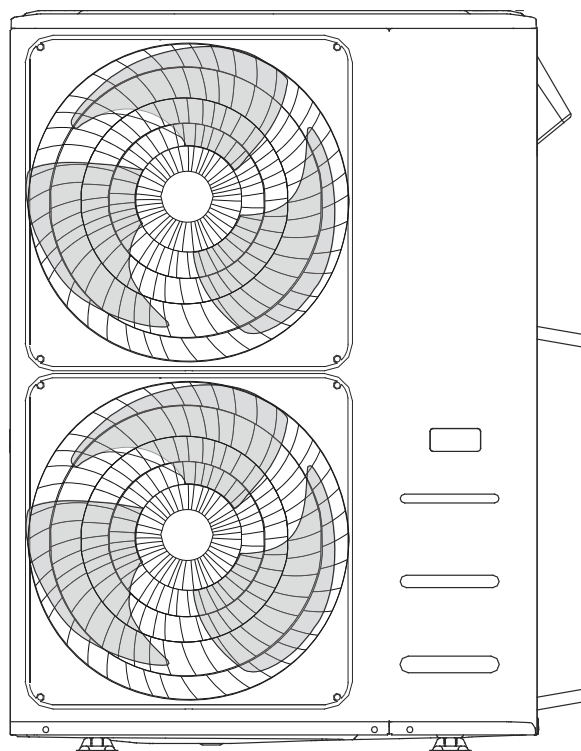
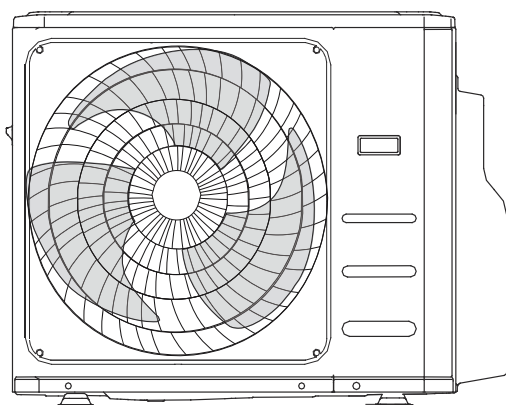
Model/Modelo: PIAWMZ188800B
PIAWMZ278800B
PIAWMZ368800B
PIAWMZ488800B

PREMIUM
LEVELLA®

MULTIZONE SYSTEM OUTDOOR UNIT

SISTEMA MULTIZONA UNIDAD EXTERIOR

User's Manual & Installation Manual



USER MANUAL / MANUAL DE INSTRUCCIONES

Use and care manual. Important safeguards. This product is for domestic use only.

Manual de uso y cuidado. Precauciones importantes. Este producto es para uso doméstico únicamente.

Table of Contents

Safety Precautions04

Owner's Manual

Unit Parts And Major Functions08

- 1. Unit Parts08
- 2. Operating temperature10
- 3. Features11

Manual Operations And Maintenance.....13

Troubleshooting14

Installation Manual

Accessories	17
Installation Summary	18
Installation Diagram	19
Specifications.....	20
Outdoor Unit Installation	21
1. Select installation location	21
2. Install drain joint	22
3. Anchor outdoor unit	22
Refrigerant Piping Connection	24
1. Cut pipe	24
2. Remove burrs	24
3. Flare pipe ends	24
4. Connect pipes	25
Wiring	27
1. Outdoor Unit Wiring	29
2. Wiring Figure	30
Air Evacuation	37
1. Note On Adding Refrigerant	38
2. Safety And Leakage Check	40
Test Run.....	41
Function of Automatic Wiring/Piping Correction.....	42

Safety Precautions

Read Safety Precautions Before Operation and Installation

Incorrect installation due to ignoring instructions can cause serious damage or injury.

The seriousness of potential damage or injuries is classified as either a **WARNING** or **CAUTION**.



WARNING

This symbol indicates the possibility of personnel injury or loss of life.



CAUTION

This symbol indicates the possibility of property damage or serious consequences.



WARNING

This appliance can be used by children aged from 8 years and above and persons with reduced physical, sensory or mental capabilities or lack of experience and knowledge if they have been given supervision or instruction concerning use of the appliance in a safe way and understand the hazards involved. Children shall not play with the appliance. Cleaning and user maintenance shall not be made by children without supervision.

This appliance is not intended for use by persons (including children) with reduced physical, sensory or mental capabilities, or lack of experience and knowledge, unless they have been given supervision or instruction concerning use of the appliance by a person responsible for their safety. Children should be supervised to ensure that they do not play with the appliance.



WARNINGS FOR PRODUCT USE

- If an abnormal situation arises (like a burning smell), immediately turn off the unit and disconnect the power. Call your dealer for instructions to avoid electric shock, fire or injury.
- **Do not** insert fingers, rods or other objects into the air inlet or outlet. This may cause injury, since the fan may be rotating at high speeds.
- **Do not** use flammable sprays such as hair spray, lacquer or paint near the unit. This may cause fire or combustion.
- **Do not** operate the air conditioner in places near or around combustible gases. Emitted gas may collect around the unit and cause explosion.
- **Do not** operate your air conditioner in a wet room such as a bathroom or laundry room. Too much exposure to water can cause electrical components to short circuit.
- **Do not** expose your body directly to cool air for a prolonged period of time.
- **Do not** allow children to play with the air conditioner. Children must be supervised around the unit at all times.
- If the air conditioner is used together with burners or other heating devices, thoroughly ventilate the room to avoid oxygen deficiency.
- In certain functional environments, such as kitchens, server rooms, etc., the use of specially designed air-conditioning units is highly recommended.

CLEANING AND MAINTENANCE WARNINGS

- Turn off the device and disconnect the power before cleaning. Failure to do so can cause electrical shock.
- **Do not** clean the air conditioner with excessive amounts of water.

CLEANING AND MAINTENANCE WARNINGS

- **Do not** clean the air conditioner with combustible cleaning agents. Combustible cleaning agents can cause fire or deformation.

CAUTION

- Turn off the air conditioner and disconnect the power if you are not going to use it for a long time.
- Turn off and unplug the unit during storms.
- Make sure that water condensation can drain unhindered from the unit.
- **Do not** operate the air conditioner with wet hands. This may cause electric shock.
- **Do not** use device for any other purpose than its intended use.
- **Do not** climb onto or place objects on top of the outdoor unit.
- **Do not** allow the air conditioner to operate for long periods of time with doors or windows open, or if the humidity is very high.

ELECTRICAL WARNINGS

- Only use the specified power cord. If the power cord is damaged, it must be replaced by the manufacturer, its service agent or similarly qualified persons in order to avoid a hazard.
- Keep power plug clean. Remove any dust or grime that accumulates on or around the plug. Dirty plugs can cause fire or electric shock.
- **Do not** pull power cord to unplug unit. Hold the plug firmly and pull it from the outlet. Pulling directly on the cord can damage it, which can lead to fire or electric shock.
- **Do not** modify the length of the power supply cord or use an extension cord to power the unit.
- **Do not** share the electrical outlet with other appliances. Improper or insufficient power supply can cause fire or electrical shock.
- The product must be properly grounded at the time of installation, or electrical shock may occur.
- For all electrical work, follow all local and national wiring standards, regulations, and the Installation Manual. Connect cables tightly, and clamp them securely to prevent external forces from damaging the terminal. Improper electrical connections can overheat and cause fire, and may also cause shock. All electrical connections must be made according to the Electrical Connection Diagram located on the panels of the indoor and outdoor units.
- All wiring must be properly arranged to ensure that the control board cover can close properly. If the control board cover is not closed properly, it can lead to corrosion and cause the connection points on the terminal to heat up, catch fire, or cause electrical shock.
- If connecting power to fixed wiring, an all-pole disconnection device which has at least 3mm clearances in all poles, and have a leakage current that may exceed 10mA, the residual current device(RCD) having a rated residual operating current not exceeding 30mA, and disconnection must be incorporated in the fixed wiring in accordance with the wiring rules.

TAKE NOTE OF FUSE SPECIFICATIONS

The air conditioner's circuit board (PCB) is designed with a fuse to provide overcurrent protection.

The specifications of the fuse are printed on the circuit board ,such as :

T20A/250VAC(for <24000Btu/h unit), T30A/250VAC(for >24000Btu/h unit)

NOTE: For the units with R32 or R290 refrigerant , only the blast-proof ceramic fuse can be used.

WARNINGS FOR PRODUCT INSTALLATION

1. Installation must be performed by an authorized dealer or specialist. Defective installation can cause water leakage, electrical shock, or fire.

WARNINGS FOR PRODUCT INSTALLATION

2. Installation must be performed according to the installation instructions. Improper installation can cause water leakage, electrical shock, or fire.
(In North America, installation must be performed in accordance with the requirement of NEC and CEC by authorized personnel only.)
3. Contact an authorized service technician for repair or maintenance of this unit. This appliance shall be installed in accordance with national wiring regulations.
4. Only use the included accessories, parts, and specified parts for installation. Using non-standard parts can cause water leakage, electrical shock, fire, and can cause the unit to fail.
5. Install the unit in a firm location that can support the unit's weight. If the chosen location cannot support the unit's weight, or the installation is not done properly, the unit may drop and cause serious injury and damage.
6. Install drainage piping according to the instructions in this manual. Improper drainage may cause water damage to your home and property.
7. For units that have an auxiliary electric heater, **do not** install the unit within 1 meter (3 feet) of any combustible materials.
8. **Do not** install the unit in a location that may be exposed to combustible gas leaks. If combustible gas accumulates around the unit, it may cause fire.
9. Do not turn on the power until all work has been completed.
10. When moving or relocating the air conditioner, consult experienced service technicians for disconnection and reinstallation of the unit.
11. How to install the appliance to its support, please read the information for details in "indoor unit installation" and "outdoor unit installation" sections.

Note about Fluorinated Gasses (Not applicable to the unit using R290 Refrigerant)

1. This air-conditioning unit contains fluorinated greenhouse gasses. For specific information on the type of gas and the amount, please refer to the relevant label on the unit itself or the "Owner's Manual - Product Fiche" in the packaging of the outdoor unit. (European Union products only).
2. Installation, service, maintenance and repair of this unit must be performed by a certified technician.
3. Product uninstallation and recycling must be performed by a certified technician.
4. For equipment that contains fluorinated greenhouse gases in quantities of 5 tonnes of CO₂ equivalent or more, but of less than 50 tonnes of CO₂ equivalent, If the system has a leak-detection system installed, it must be checked for leaks at least every 24 months.
5. When the unit is checked for leaks, proper record-keeping of all checks is strongly recommended.

WARNING for Using R32 Refrigerant

- When flammable refrigerant are employed, appliance shall be stored in a well-ventilated area where the room size corresponds to the room area as specified for operation.
For R32 refrigerant models:
Appliance shall be installed, operated and stored in a room with a floor area larger than $X \text{ m}^2$.
Appliance shall not be installed in an unventilated space, if that space is smaller than $X \text{ m}^2$.
(Please see the following form).

Amount of refrigerant to be charged (kg)	Installation height (m)	Minimum room area (m ²)	Amount of refrigerant to be charged (kg)	Installation height (m)	Minimum room area (m ²)
1.0	0.6 /1.8 /2.2	9 /1 /1	1.95	0.6 /1.8 /2.2	33 /4 /2.5
1.05	0.6 /1.8 /2.2	9.5 /1.5 /1	2.0	0.6 /1.8 /2.2	34.5 /4 /3
1.1	0.6 /1.8 /2.2	10.5 /1.5 /1	2.05	0.6 /1.8 /2.2	36 /4 /3
1.15	0.6 /1.8 /2.2	11.5 /1.5 /1	2.1	0.6 /1.8 /2.2	38 /4.5 /3
1.2	0.6 /1.8 /2.2	12.5 /1.5 /1	2.15	0.6 /1.8 /2.2	40 /4.5 /3
1.25	0.6 /1.8 /2.2	13.5 /1.5 /1	2.2	0.6 /1.8 /2.2	41.5 /5 /3.5
1.3	0.6 /1.8 /2.2	14.5 /2 /1.5	2.25	0.6 /1.8 /2.2	43.5 /5 /3.5
1.35	0.6 /1.8 /2.2	16 /2 /1.5	2.3	0.6 /1.8 /2.2	45.5 /5 /3.5
1.4	0.6 /1.8 /2.2	17 /2 /1.5	2.35	0.6 /1.8 /2.2	47.5 /5.5 /4
1.45	0.6 /1.8 /2.2	18 /2 /1.5	2.4	0.6 /1.8 /2.2	49.5 /5.5 /4
1.5	0.6 /1.8 /2.2	19.5 /2.5 /1.5	2.45	0.6 /1.8 /2.2	51.5 /6 /4
1.55	0.6 /1.8 /2.2	21 /2.5 /2	2.5	0.6 /1.8 /2.2	54 /6 /4
1.6	0.6 /1.8 /2.2	22 /2.5 /2	2.55	0.6 /1.8 /2.2	56 /6.5 /4.5
1.65	0.6 /1.8 /2.2	23.5 /3 /2	2.6	0.6 /1.8 /2.2	58 /6.5 /4.5
1.7	0.6 /1.8 /2.2	25 /3 /2	2.65	0.6 /1.8 /2.2	60.5 /7 /4.5
1.75	0.6 /1.8 /2.2	26.5 /3 /2	2.7	0.6 /1.8 /2.2	63 /7 /5
1.8	0.6 /1.8 /2.2	28 /3.5 /2.5	2.75	0.6 /1.8 /2.2	65 /7.5 /5
1.85	0.6 /1.8 /2.2	29.5 /3.5 /2.5	2.8	0.6 /1.8 /2.2	67.5 /7.5 /5
1.9	0.6 /1.8 /2.2	31 /3.5 /2.5	2.85	0.6 /1.8 /2.2	70 /8 /5.5

- Reusable mechanical connectors and flared joints are not allowed indoors. (EN Standard Requirements).
- Mechanical connectors used indoors shall have a rate of not more than 3g/year at 25% of the maximum allowable pressure. When mechanical connectors are reused indoors, sealing parts shall be renewed. When flared joints are reused indoors, the flare part shall be re-fabricated. (UL Standard Requirements)
- When mechanical connectors are reused indoors, sealing parts shall be renewed. When flared joints are reused indoors, the flare part shall be re-fabricated. (IEC Standard Requirements)
- Mechanical connectors used indoors shall comply with ISO 14903.

European Disposal Guidelines

This marking shown on the product or its literature, indicates that waste electrical and electronic equipment should not be mixed with general household waste.



Correct Disposal of This Product (Waste Electrical & Electronic Equipment)

This appliance contains refrigerant and other potentially hazardous materials. When disposing of this appliance, the law requires special collection and treatment. **Do not** dispose of this product as household waste or unsorted municipal waste.

When disposing of this appliance, you have the following options:

- Dispose of the appliance at designated municipal electronic waste collection facility.
- When buying a new appliance, the retailer will take back the old appliance free of charge.
- The manufacturer will take back the old appliance free of charge.
- Sell the appliance to certified scrap metal dealers.

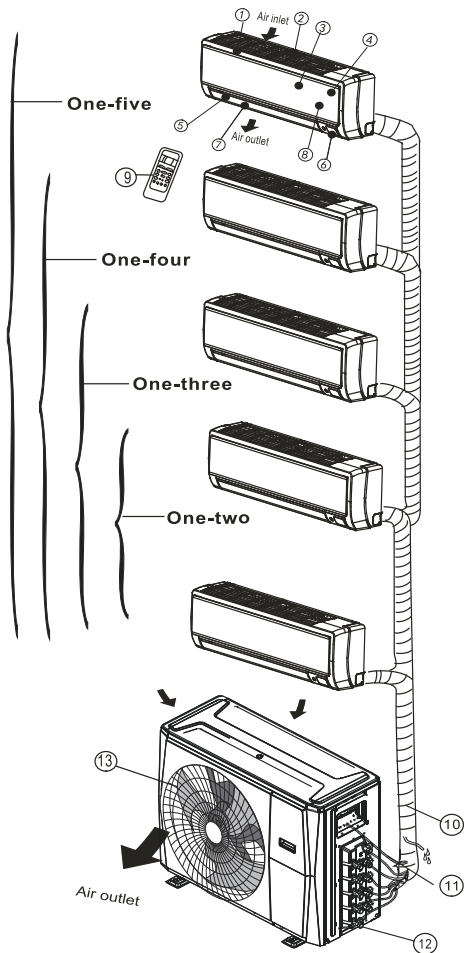
Special notice

Disposing of this appliance in the forest or other natural surroundings endangers your health and is bad for the environment. Hazardous substances may leak into the ground water and enter the food chain.

Unit Parts And Major Functions

Unit Parts

(A) Wall-mounted type



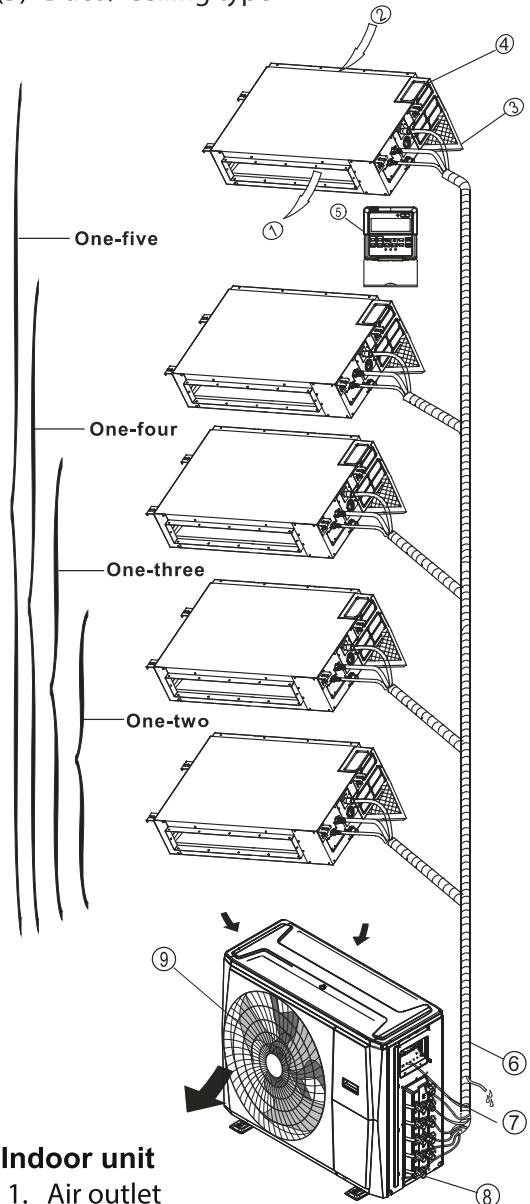
Indoor unit

1. Panel frame
2. Rear air intake grille
3. Front panel
4. Air purifying filter & Air filter(behind)
5. Horizontal louver
6. LCD display window
7. Vertical louver
8. Manual control button(behind)
9. Remote controller holder

Outdoor unit

10. Drain hose, refrigerant connecting pipe
11. Connective cable
12. Stop valve
13. Fan hood

(B) Duct / Ceiling type



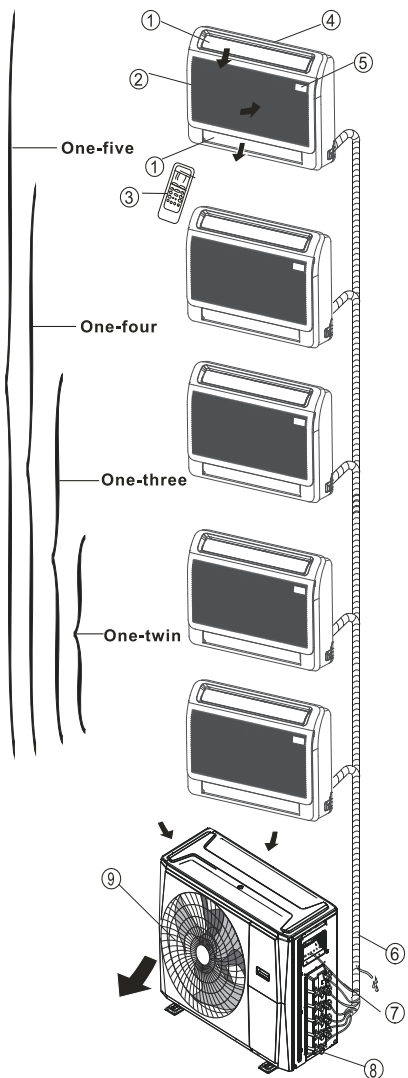
Indoor unit

1. Air outlet
2. Air inlet
3. Air filter
4. Electric control cabinet
5. Wire controller

Outdoor unit

6. Drain hose, refrigerant connecting pipe
7. Connective cable
8. Stop valve
9. Fan hood

(C) Floor and standing type(console)



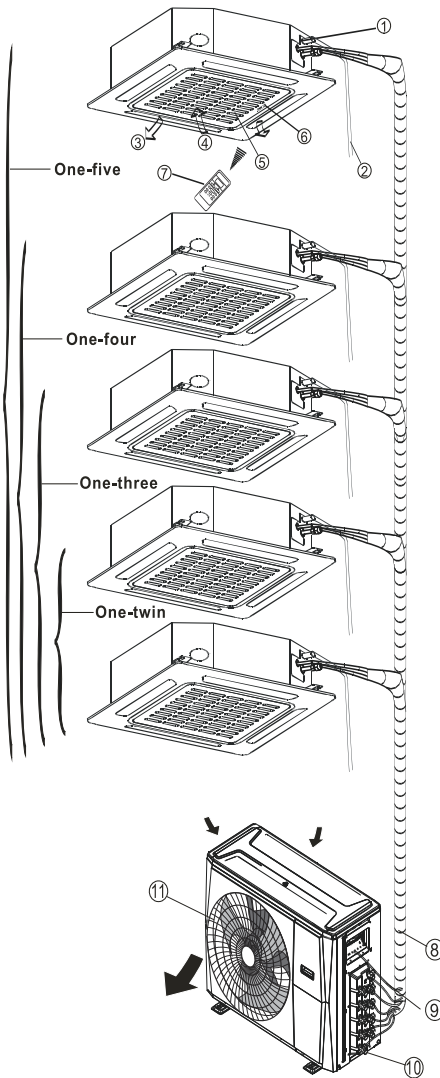
Indoor unit

- 1.Air flow louver (at air outlet)
- 2.Air inlet
- 3.Remote controller
- 4.Installation part
- 5.Display panel

Outdoor unit

- 6.Drain hose,refrigerant connecting pipe
- 7.Connective cable
- 8.Stop valve
- 9.Fan hood

(D) Compact four-way cassette type



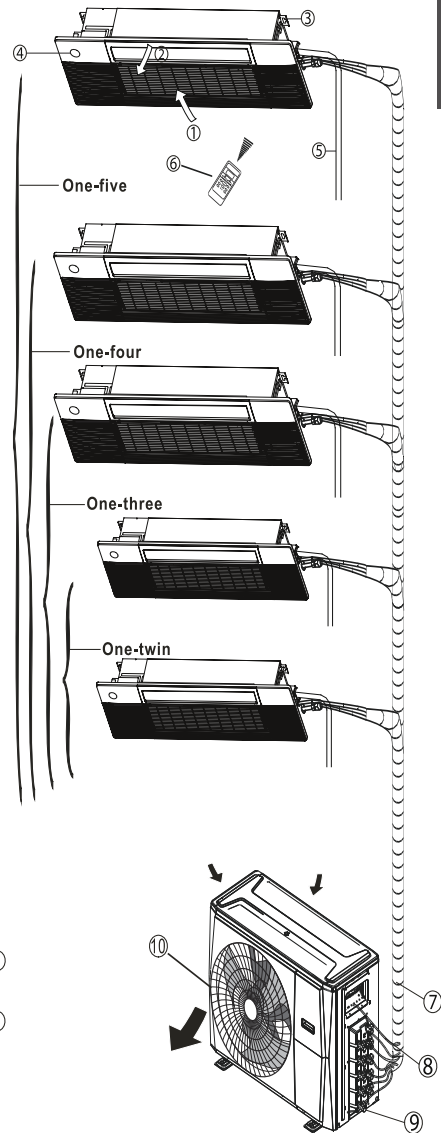
Indoor unit

- 1.Drain pump (drain water from indoor unit)
- 2.Drain hose
- 3.Air outlet
- 4.Air inlet
- 5.Air-in grill
- 6.Display panel
- 7.Remote controller

Outdoor unit

- 8.Refrigerant connectinh piping
- 9.Connecting cable
- 10.Stop valve
- 11.Fan hood

(E) One-way cassette type



Indoor unit

- 1.Air inlet (with air filter in it)
- 2.Air flow louver (at air outlet)
- 3.Installation part
- 4.Display panel
- 5.Drain pipe
- 6.Remote controller

Outdoor unit

- 7.Refrigerant connectinh piping
- 8.Connecting cable
- 9.Stop valve
- 10.Fan hood

NOTE: For multi-split type air conditioners, one outdoor unit can be matched to different types of indoor units. All of the pictures in this manual are for demonstration purposes only. Your air conditioner may be slightly different, if similar in shape. The following pages introduce several kinds of indoor units that can be matched with the outdoor units.

Operating Conditions

Operating temperature

When your air conditioner is used outside of the following temperature ranges, certain safety protection features may activate and cause the unit to disable.

	COOL mode	HEAT mode	DRY mode
Room Temperature	17°C - 32°C (62°F - 90°F)	0°C - 30°C (32°F - 86°F)	10°C - 32°C (50°F - 90°F)
	16°C - 32°C (60°F - 90°F) (For stepless speed regulation models)		
Outdoor Temperature	0°C - 50°C (32°F - 122°F)	-15°C - 24°C (5°F - 75°F)	0°C - 50°C (32°F - 122°F)
	-15°C - 50°C (5°F - 122°F) (For models with low temp. cooling systems.)		
	0°C - 52°C (32°F - 126°F) (For special tropical models)		0°C - 52°C (32°F - 126°F) (For special tropical models)

FOR OUTDOOR UNITS WITH AUXILIARY ELECTRIC HEATER

When outside temperature is below 0°C (32°F), we strongly recommend keeping the unit plugged in at all time to ensure smooth ongoing performance.

NOTE: Room relative humidity less than 80%. If the air conditioner operates in excess of this figure, the surface of the air conditioner may attract condensation. Please sets the vertical air flow louver to its maximum angle (vertically to the floor), and set HIGH fan mode.

To further optimize the performance of your unit, do the following:

- Keep doors and windows closed.
- Limit energy usage by using TIMER ON and TIMER OFF functions.
- Do not block air inlets or outlets.
- Regularly inspect and clean air filters.

Features

Protection of the air conditioner

Compressor protection

- The compressor cannot restart for 3 minutes after it stops.

Anti-cold air (Cooling and heating models only)

- The unit is designed not to blow cold air on HEAT mode, when the indoor heat exchanger is in one of the following three situations and the set temperature has not been reached.
 - A) When heating has just started.
 - B) During defrosting.
 - C) Low temperature heating.

- The indoor or outdoor fan stop running when defrosting (Cooling and heating models only).

Defrosting (Cooling and heating models only)

- Frost may be generated on the outdoor unit during a heat cycle when outdoor temperature is low and humidity is high resulting in lower heating efficiency in the air conditioner.
- Under these conditions, the air conditioner will stop heating operations and start defrosting automatically.
- The time to defrost may vary from 4 to 10 minutes, depending the outdoor temperature and the amount of frost buildup on the outdoor unit.

Auto-Restart (some models)

In case of power failure, the system will immediately stop. When power returns, the Operation light on the indoor unit will flash. To restart the unit, press the **ON/OFF** button on the remote control. If the system has an auto restart function, the unit will restart using the same settings.

White mist emerging from the indoor unit

- A white mist may be generated due to a large temperature difference between air inlet and air outlet on COOL mode in places with high relative humidity.
- A white mist may be generated due to moisture created in the defrosting process when the air conditioner restarts in HEAT mode operation after defrosting.

Noise coming from the air conditioner

- You may hear a low hissing sound when the compressor is running or has just stopped running. This sound is the sound of the refrigerant flowing or coming to a stop.
- You may also hear a low "squeaking" sound when the compressor is running or has just stopped running. This is caused by tempera heat expansion and cold contraction of the plastic parts in the unit when the temperature is changing.
- A noise may be heard due to the louver restoring itself to its original position when power is first turned on.

Dust blowing out from the indoor unit.

This is happens when the air conditioner has not been used for a long time or during its first use.

Smell emitting from the indoor unit.

This is caused by the indoor unit giving off smells permeated from building materials, furniture, or smoke.

The air conditioner turns to **FAN ONLY mode from COOL or HEAT (for cooling and heating models only) mode.**

When the indoor temperature reaches the set temperature setting, the compressor will stop automatically, and the air conditioner turns to FAN only mode. The compressor will start again when the indoor temperature rises on COOL mode or falls on HEAT mode to the set point.

Droplets of water may form on the surface of the indoor unit when cooling occurs in relatively high humidity (defined as higher than 80%). Adjust the horizontal louver to the maximum air outlet position and select HIGH fan speed.

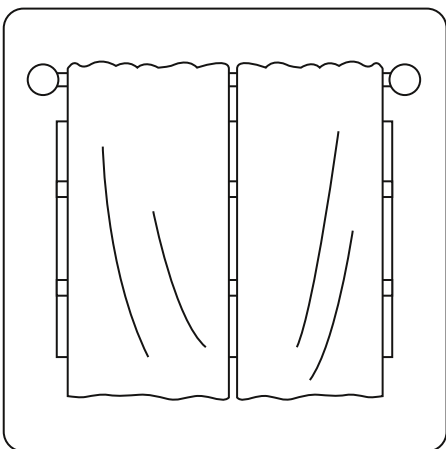
Heating mode (For cooling and heating models only)

The air conditioner draws in heat from the outdoor unit and releases it via the indoor unit during heating. When the outdoor temperature falls, heat drawn in by the air conditioner decreases accordingly. At the same time, heat loading of the air conditioner increases due to larger difference between indoor and outdoor temperature. If a comfortable temperature cannot be achieved with the air conditioner alone, it is recommended that you use a supplementary heating device.

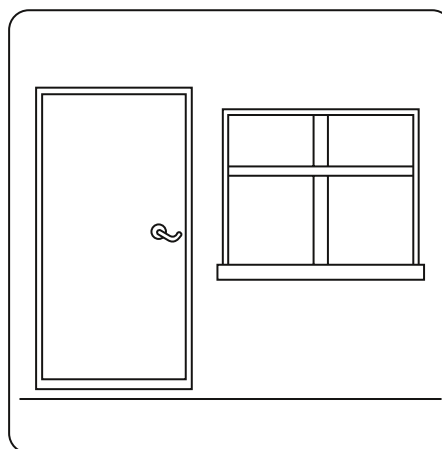
Lightning or a car wireless telephone operating nearby may cause the unit to malfunction. Disconnect the unit from its power source and then re-connect the unit with the power source again. Push the ON/OFF button on the remote controller to restart operations.

Energy Saving Tips

- **DO NOT** set the unit to excessive temperature levels.
- While cooling, close the curtains to avoid direct sunlight.
- Doors and windows should be kept closed to keep cool or warm air in the room.
- **DO NOT** place objects near the air inlet and outlet of the unit. This will reduce the efficiency of the unit.
- Set a timer and use the built-in SLEEP/ECONOMY mode if applicable.
- If you don't plan to use the unit for a long time, remove the batteries from the remote control.
- Clean the air filter every two weeks. A dirty filter can reduce cooling or heating efficiency.
- Adjust louvers properly and avoid direct airflow.



Closing curtains during heating also helps keep the heat in



Doors and windows should be kept closed

Manual Operations And Maintenance

Operation mode selection

While two or more indoor units are simultaneously operating, make sure the modes do not conflict with each other. The heat mode claims precedence over all other modes. If the unit initially started to operate in HEAT mode, the other units can operate in HEAT mode only. For example: If the unit initially started operates under COOL (or FAN) mode, the other units can operate under any mode except HEAT. If one of the unit selects HEAT mode, the other operating units will stop operation and display "--" (for units with display window only) or the auto and operation indication light will flash rapidly, the defrost indication light will turn off, and the timer indication light will remain on (for units without a display window). Alternatively, the defrost and alarm indication light (if applicable) will light up, or the operation indication light will flash rapidly, and the timer indication light will turn off (for the floor and standing type).

Maintenance

If you plan to leave the unit idle for a long time, perform the following tasks:

1. Clean the indoor unit and air filter.
2. Select FAN ONLY mode and let the indoor fan run for a time to dry the inside of the unit.
3. Disconnect the power supply and remove the battery from the remote control.
4. Check components of the outdoor unit periodically. Contact a local dealer or a customer service centre if the unit requires servicing.

NOTE: Before you clean the air conditioner, be sure to switch off the unit and disconnect the power supply plug.

Optimal operation

To achieve optimal performance, please note the following:

- Adjust the direction of the air flow so that it is not blowing directly on people.
- Adjust the temperature to achieve the highest possible level of comfort. Do not adjust the unit to excessive temperature levels.
- Close doors and windows in COOL mode or HEAT mode.
- Use the TIMER ON button on the remote controller to select a time you want to start your air conditioner.
- Do not place any object near the air inlet or air outlet, as the efficiency of the air conditioner may be reduced and the air conditioner may stop running.
- Clean the air filter periodically, otherwise cooling or heating performance may be reduced.
- Do not operate unit with horizontal louvre in closed position.

Suggestion:

For units that feature an electric heater, when the outside ambient temperature is below 0°C (32°F), it is strongly recommended that you to keep the machine plugged in so as to guarantee smooth operation.

When the air conditioner is to be used again:

- Use a dry cloth to wipe off the dust accumulated on the rear air intake grille in order to avoid the dust being dispersed from the indoor unit.
- Check that the wiring is not broken off or disconnected.
- Check that the air filter is installed.
- Check if the air outlet or inlet is blocked after the air conditioner has not been used for a long time.

Troubleshooting



SAFETY PRECAUTIONS

If any of the following conditions occurs, turn off your unit immediately!

- The power cord is damaged or abnormally warm
- You smell a burning odor
- The unit emits loud or abnormal sounds
- A power fuse blows or the circuit breaker frequently trips
- Water or other objects fall into or out of the unit

DO NOT ATTEMPT TO FIX THESE YOURSELF! CONTACT AN AUTHORIZED SERVICE PROVIDER IMMEDIATELY!

Common Issues

The following problems are not a malfunction and in most situations will not require repairs.

Problem	Possible Causes
Unit does not turn on when pressing ON/OFF button	The unit has a 3-minute protection feature that prevents the unit from overloading. The unit cannot be restarted within three minutes of being turned off.
	Cooling and Heating Models: If the Operation light and PRE-DEF (Pre-heating/Defrost) indicators are lit up, the outdoor temperature is too cold and the unit's anti-cold wind is activated in order to defrost the unit.
	In Cooling-only Models: If the "Fan Only" indicator is lit up, the outdoor temperature is too cold and the unit's anti-freeze protection is activated in order to defrost the unit.
The unit changes from COOL mode to FAN mode	The unit changes its setting to prevent frost from forming on the unit. Once the temperature increases, the unit will start operating again.
	The set temperature has been reached, at which point the unit turns off the compressor. The unit will resume operating when the temperature fluctuates again.
The indoor unit emits white mist	In humid regions, a large temperature difference between the room's air and the conditioned air can cause white mist.
Both the indoor and outdoor units emit white mist	When the unit restarts in HEAT mode after defrosting, white mist may be emitted due to moisture generated from the defrosting process.

Problem	Possible Causes
The indoor unit makes noises	A squeaking sound is heard when the system is OFF or in COOL mode. The noise is also heard when the drain pump (optional) is in operation.
	A squeaking sound may occur after running the unit in HEAT mode due to expansion and contraction of the unit's plastic parts.
Both the indoor unit and outdoor unit make noises	A low hissing sound may occur during operation. This is normal and is caused by refrigerant gas flowing through both the indoor and outdoor units.
	A low hissing sound may be heard when the system starts, has just stopped running or is defrosting. This noise is normal and is caused by the refrigerant gas stopping or changing direction.
The outdoor unit makes noises	The unit will make different sounds based on its current operating mode.
Dust is emitted from either the indoor or outdoor unit	The unit may accumulate dust during extended periods of non-use, which will be emitted when the unit is turned on. This can be mitigated by covering the unit during long periods of inactivity.
The unit emits a bad odor	The unit may absorb odors from the environment (such as furniture, cooking, cigarettes, etc.) which will be emitted during operations.
	The unit's filters have become moldy and should be cleaned.
The fan of the outdoor unit does not operate	During operation, the fan speed is controlled to optimize product operation.

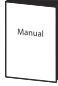



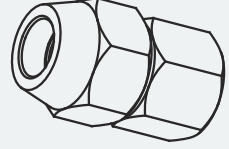

Troubleshooting Tips

When troubles occur, please check the following points before contacting a repair company.

Problem	Possible Causes	Solution
The unit is not working	Power failure	Wait for the power to be restored
	The power switch is off	Turn on the power
	The fuse is burned out	Replace the fuse
	Remote control batteries are dead	Replace the remote control batteries
	The unit's 3-minute protection has been activated	Wait three minutes after restarting the unit
Poor cooling performance	Temperature setting may be higher than the ambient room temperature	Lower the temperature setting
	The heat exchanger on the indoor or outdoor unit is dirty	Clean the affected heat exchanger
	The air filter is dirty	Remove the filter and clean it according to instructions
	The air inlet or outlet of either unit is blocked	Turn the unit off, remove the obstruction and turn it back on
	Doors and windows are open	Make sure that all doors and windows are closed while operating the unit
	Excessive heat is generated by sunlight	Close windows and curtains during periods of high heat or bright sunshine
	Low refrigerant due to leak or long-term use	Check for leaks, re-seal if necessary and top off refrigerant
The unit starts and stops frequently	There's too much or too little refrigerant in the system	Check for leaks and recharge the system with refrigerant
	There is air, incompressible gas or foreign material in the refrigeration system.	Evacuate and recharge the system with refrigerant
	System circuit is blocked	Determine which circuit is blocked and replace the malfunctioning piece of equipment
	The compressor is broken	Replace the compressor
	The voltage is too high or too low	Install a manostat to regulate the voltage
Poor heating performance	The outdoor temperature is lower than 7°C (44.5°F)	Check for leaks and recharge the system with refrigerant
	Cold air is entering through doors and windows	Make sure that all doors and windows are closed during use
	Low refrigerant due to leak or long-term use	Check for leaks, re-seal if necessary and top off refrigerant

Accessories

The air conditioning system comes with the following accessories. Use all of the installation parts and accessories to install the air conditioner. Improper installation may result in water leakage, electrical shock and fire, or cause the equipment to fail. The items are not included with the air conditioner must be purchased separately.

Name of Accessories	Q'ty(pc)	Shape	Name of Accessories	Q'ty(pc)	Shape
Manual	2~4		Drain joint (some models)	1	
Installation plate (some models)	1		Seal ring (some models)	1	
Plastic expansion sheath (some models)	5-8 (depending on models)		Magnetic ring (Hitch it on the connective cable between indoor unit and outdoor unit after installation.) (some models)	Varies by model	
Self-Tapping Screw A (some models)	5-8 (depending on models)				
Transfer connector (packed with the indoor or outdoor unit, depending on models) NOTE: Pipe size may differ from appliance to appliance. To meet different pipe size requirements, sometimes the pipe connections need a transfer connector installed on the outdoor unit .	Optional part (one piece/ one indoor unit) Optional part (1-5 pieces for outdoor unit, depending on models)		Cord protection rubber ring (If the cord clamp cannot fasten on a small cord, use the cord protection rubber ring [supplied with accessories] to wrap around the cord. Then fix it in place with the cord clamp.) (some models)	1	

Accessories

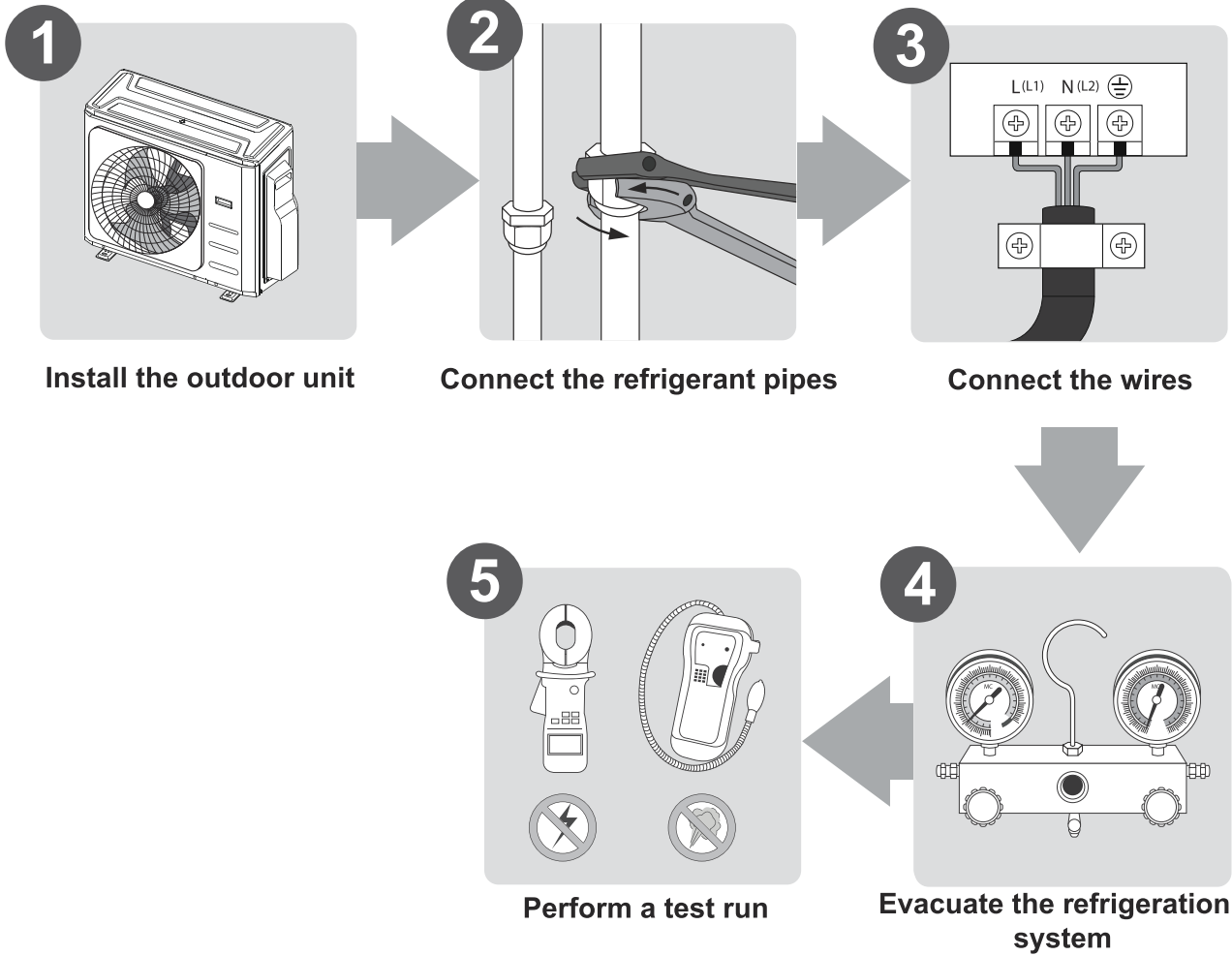
Optional accessories

- There are two types of remote controls: wired and wireless. Select a remote controller based on customer preferences and requirements and install in an appropriate place. Refer to catalogues and technical literature for guidance on selecting a suitable remote controller.

Name	Shape	Quantity(PC)
Connecting pipe assembly	Liquid side	Φ 6.35 (1/4in)
		Φ 9.52 (3/8in)
	Gas side	Φ 9.52 (3/8in)
		Φ 12.7 (1/2in)
		Φ 16 (5/8in)
		Parts you must purchase separately. Consult the dealer about the proper pipe size of the unit you purchased.

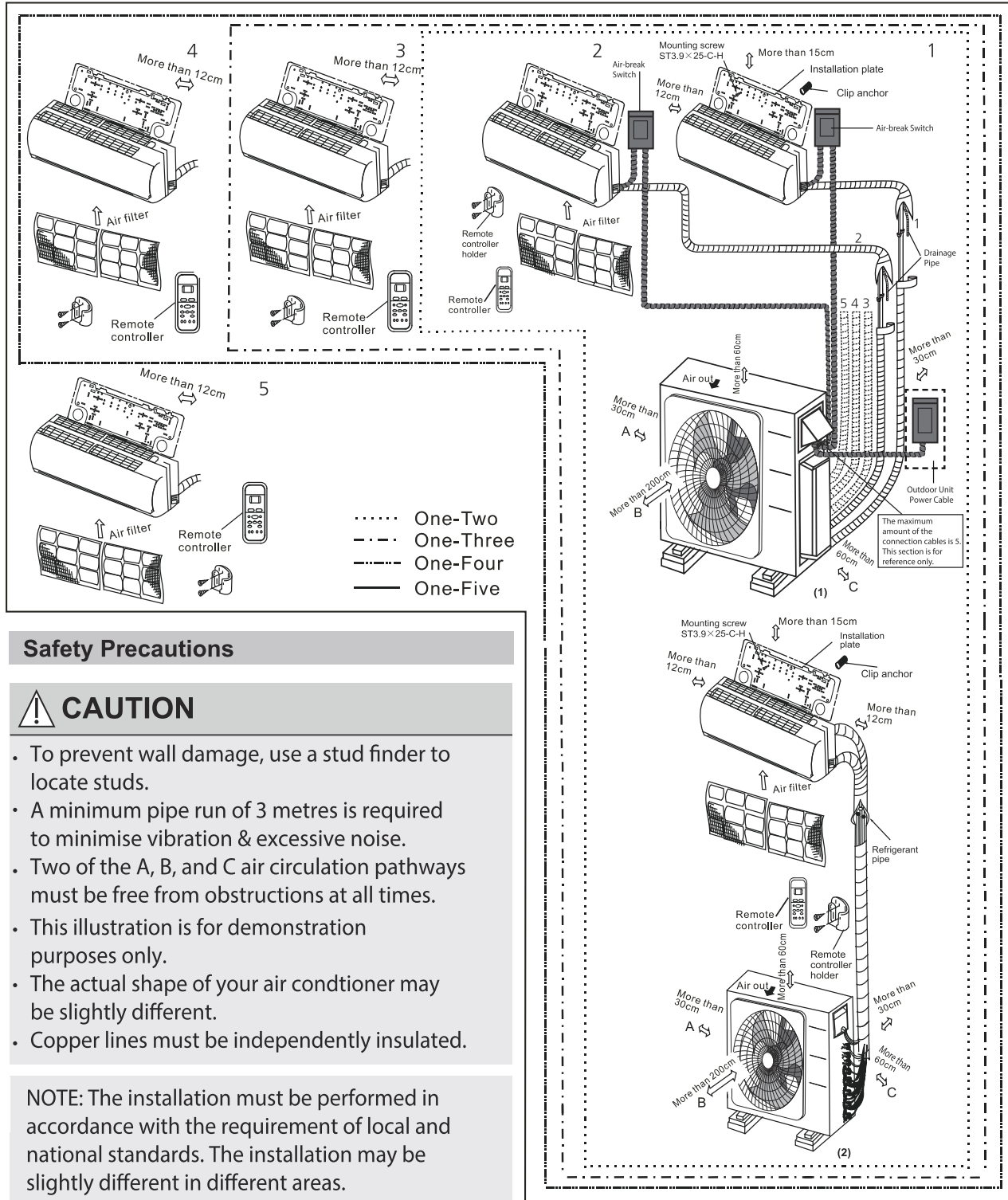
Installation Summary

INSTALLATION ORDER



Installation Diagram

Installation Diagram



Safety Precautions

⚠ CAUTION

- To prevent wall damage, use a stud finder to locate studs.
- A minimum pipe run of 3 metres is required to minimise vibration & excessive noise.
- Two of the A, B, and C air circulation pathways must be free from obstructions at all times.
- This illustration is for demonstration purposes only.
- The actual shape of your air conditioner may be slightly different.
- Copper lines must be independently insulated.

NOTE: The installation must be performed in accordance with the requirement of local and national standards. The installation may be slightly different in different areas.

Specifications

Number of units that can be used together	Connected units	1-5 units
Compressor stop/start frequency	Stop time	3 min or more
Power source voltage	voltage fluctuation	within $\pm 10\%$ of rated voltage
	voltage drop during start	within $\pm 15\%$ of rated voltage
	interval unbalance	within $\pm 3\%$ of rated voltage

Models without quick connectors

Unit: m/ft.

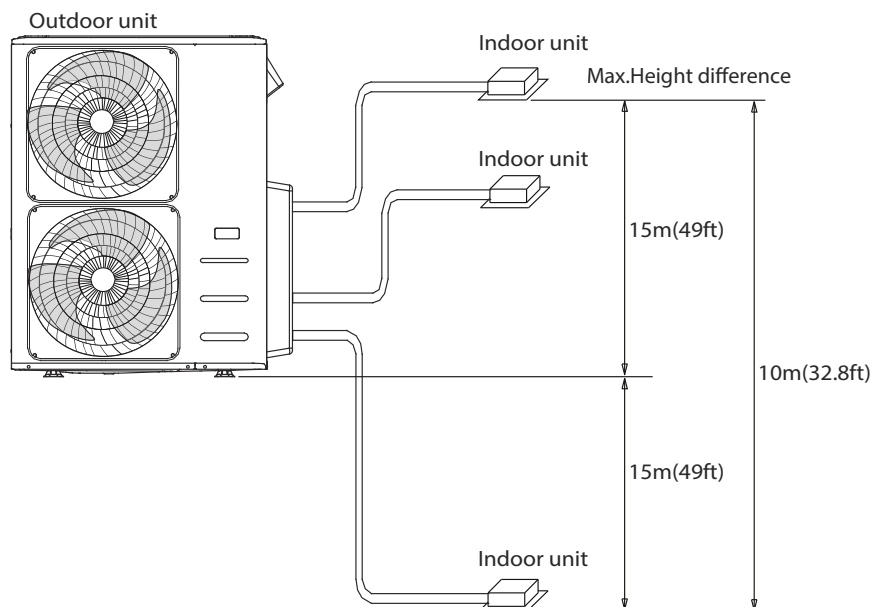
	1 drive 2	1 drive 3	1 drive 4	1 drive 5
Max. length for all rooms	40/131	60/197	80/262	80/262
Max. length for one indoor unit	25/82	30/98	35/115	35/115
Max. height different between indoor and outdoor unit	15/49	15/49	15/49	15/49
Max. height different between indoor units	10/33	10/33	10/33	10/33

Models with quick connectors

Unit: m/ft.

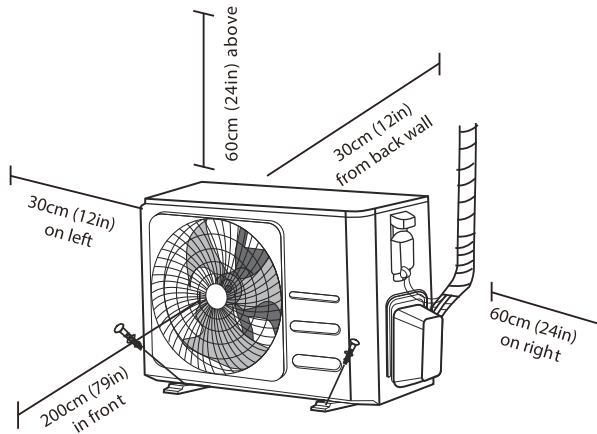
	1 drive 2	1 drive 3	1 drive 4	1 drive 5
Max. length for all rooms	37.5/123	52.5/172	67.5/221	67.5/221
Max. length for one indoor unit	22.5/73	22.5/73	22.5/73	22.5/73
Max. height different between indoor and outdoor unit	10/33	10/33	10/33	10/33
Max. height different between indoor units	7.5/24	7.5/24	7.5/24	7.5/24

When installing multiple indoor units with a single outdoor unit, ensure that the length of the refrigerant pipe and the drop height between the indoor and outdoor units meet the requirements illustrated in the following diagram:



Outdoor Unit Installation

Install the unit by following local codes and regulations, there may be differ slightly between different regions.



Installation Instructions – Outdoor unit

Step 1: Select installation location

Before installing the outdoor unit, you must choose an appropriate location. The following are standards that will help you choose an appropriate location for the unit.

Proper installation locations meet the following standards:

- ☑ Meets all spatial requirements shown in Installation Space Requirements above.
- ☑ Good air circulation and ventilation
- ☑ Firm and solid—the location can support the unit and will not vibrate
- ☑ Noise from the unit will not disturb others
- ☑ Protected from prolonged periods of direct sunlight or rain
- ☑ Where snowfall is anticipated, take appropriate measures to prevent ice buildup and coil damage.

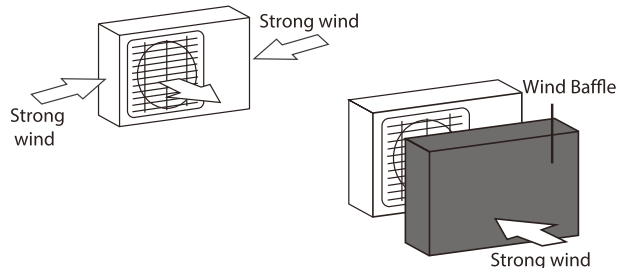
DO NOT install unit in the following locations:

- ⊘ Near an obstacle that will block air inlets and outlets
- ⊘ Near a public street, crowded areas, or where noise from the unit will disturb others
- ⊘ Near animals or plants that will be harmed by hot air discharge
- ⊘ Near any source of combustible gas
- ⊘ In a location that is exposed to large amounts of dust
- ⊘ In a location exposed to a excessive amounts of salty air

SPECIAL CONSIDERATIONS FOR EXTREME WEATHER

If the unit is exposed to heavy wind:

Install unit so that air outlet fan is at a 90° angle to the direction of the wind. If needed, build a barrier in front of the unit to protect it from extremely heavy winds. See Figures below.



If the unit is frequently exposed to heavy rain or snow:

Build a shelter above the unit to protect it from the rain or snow. Be careful not to obstruct air flow around the unit.

If the unit is frequently exposed to salty air (seaside):

Use outdoor unit that is specially designed to resist corrosion.

Step 2: Install drain joint (Heat pump unit only)

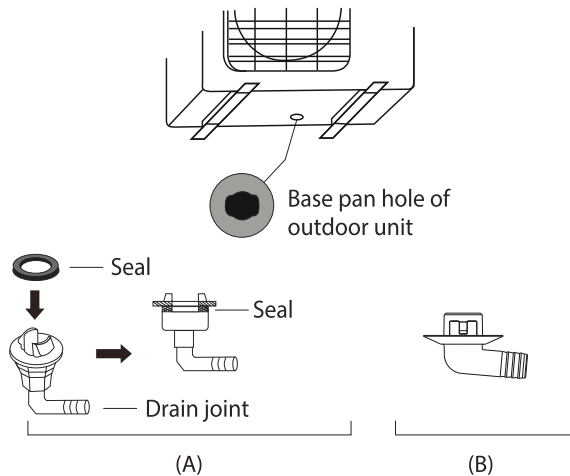
Before bolting the outdoor unit in place, you must install the drain joint at the bottom of the unit. Note that there are two different types of drain joints depending on the type of outdoor unit.

If the drain joint comes with a rubber seal (see Fig. A), do the following:

1. Fit the rubber seal on the end of the drain joint that will connect to the outdoor unit.
2. Insert the drain joint into the hole in the base pan of the unit.
3. Rotate the drain joint 90° until it clicks in place facing the front of the unit.
4. Connect a drain hose extension (not included) to the drain joint to redirect water from the unit during heating mode.

If the drain joint doesn't come with a rubber seal (see Fig. B), do the following:

1. Insert the drain joint into the hole in the base pan of the unit. The drain joint will click in place.
2. Connect a drain hose extension (not included) to the drain joint to redirect water from the unit during heating mode.



! IN COLD CLIMATES

In cold climates, make sure that the drain hose is as vertical as possible to ensure swift water drainage. If water drains too slowly, it can freeze in the hose and flood the unit.

Step 3: Anchor outdoor unit

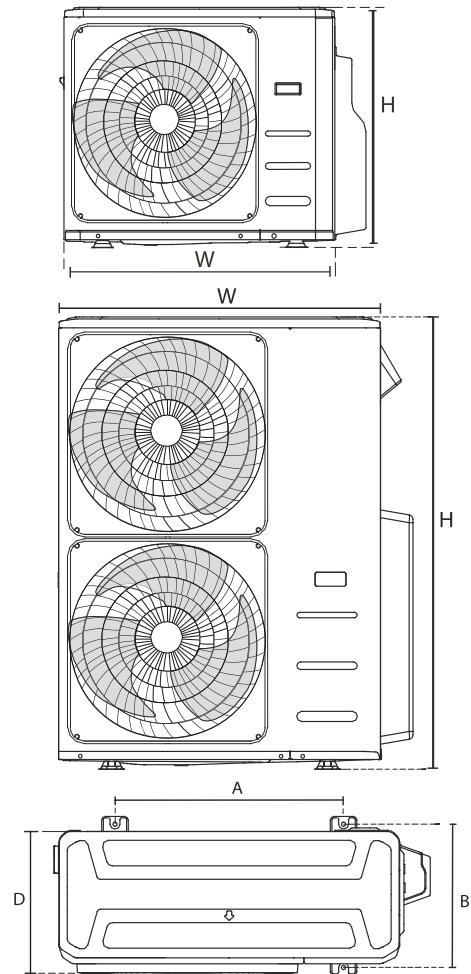
The outdoor unit can be anchored to the ground or to a wall-mounted bracket with bolt(M10). Prepare the installation base of the unit according to the dimensions below.

UNIT MOUNTING DIMENSIONS

The following is a list of different outdoor unit sizes and the distance between their mounting feet. Prepare the installation base of the unit according to the dimensions below.

Outdoor Unit Types and Specifications

Split Type Outdoor Unit



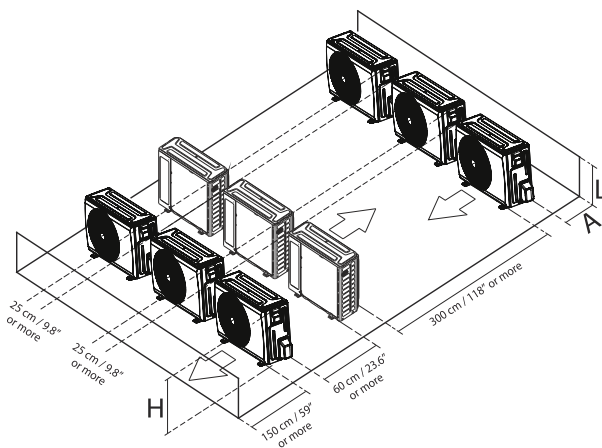
(unit: mm/inch)

Outdoor Unit Dimensions W x H x D	Mounting Dimensions	
	Distance A	Distance B
760x590x285 (29.9x23.2x11.2)	530 (20.85)	290 (11.4)
810x558x310 (31.9x22x12.2)	549 (21.6)	325 (12.8)
845x700x320 (33.27x27.5x12.6)	560 (22)	335 (13.2)
900x860x315 (35.4x33.85x12.4)	590 (23.2)	333 (13.1)
945x810x395 (37.2x31.9x15.55)	640 (25.2)	405 (15.95)
990x965x345 (38.98x38x13.58)	624 (24.58)	366 (14.4)
938x1369x392 (36.93x53.9x15.43)	634 (24.96)	404 (15.9)
900x1170x350 (35.4x46x13.8)	590 (23.2)	378 (14.88)
800x554x333 (31.5x21.8x13.1)	514 (20.24)	340 (13.39)
845x702x363 (33.27x27.6x14.3)	540 (21.26)	350 (13.8)
946x810x420 (37.2x31.9x16.53)	673 (26.5)	403 (15.87)
946x810x410 (37.2x31.9x16.14)	673 (26.5)	403 (15.87)
952x1333x410 (37.5x52.5x16.14)	634 (24.96)	404 (15.9)
952x1333x415 (37.5x52.5x16.34)	634 (24.96)	404 (15.9)
890x673x342 (35.0x 26.5x 13.5)	663 (26.1)	354 (13.9)

Rows of series installation

The relations between H, A and L are as follows.

	L	A
L ≤ H	L ≤ 1/2H	25 cm / 9.8" or more
	1/2H < L ≤ H	30 cm / 11.8" or more
L > H	Can not be installed	



Notes On Drilling Hole In Wall

You must drill a hole in the wall for the refrigerant piping, and the signal cable that will connect the indoor and outdoor units.

1. Determine the location of the wall hole based on the location of the outdoor unit.
2. Using a 65-mm (2.5") core drill, drill a hole in the wall.

NOTE: When drilling the wall hole, make sure to avoid wires, plumbing, and other sensitive components.

3. Place the protective wall cuff in the hole. This protects the edges of the hole and helps seal it when you finish the installation process.

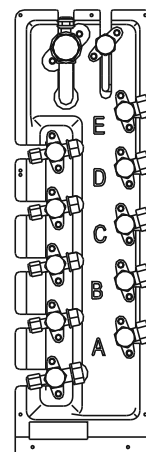
When Select a 24K Indoor Unit

The 24K indoor unit can only be connected with an A system. If there are two 24K indoor units, they can be connected with A and B systems.

Connective pipe size of an A and B system

(unit: inch)

Indoor Unit capacity (Btu/h)	Liquid	Gas
6K/7K/9K/12K	1/4	3/8
12K/18K	1/4	1/2
24K	3/8	5/8



Outdoor Unit
Installation

Refrigerant Piping Connection

NOTE: For quick-connect models, please refer to the internal machine manual for the installation method of the connecting pipe. The external machine manual does not repeat the instructions.

When connecting refrigerant piping, **do not** let substances or gases other than the specified refrigerant enter the unit. The presence of other gases or substances will lower the unit's capacity, and can cause abnormally high pressure in the refrigeration cycle. This can cause explosion and injury.

Connection Instructions – Refrigerant Piping

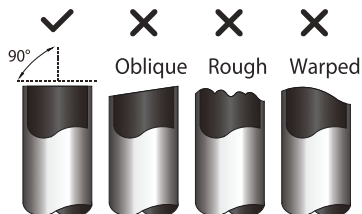
CAUTION

- The branching pipe must be installed horizontally. An angle of more than 10° may cause malfunction.
- **DO NOT** install the connecting pipe until both indoor and outdoor units have been installed.
- Insulate both the gas and liquid piping to prevent water leakage.

Step 1: Cut pipes

When preparing refrigerant pipes, take extra care to cut and flare them properly. This will ensure efficient operation and minimize the need for future maintenance.

1. Measure the distance between the indoor and outdoor units.
2. Using a pipe cutter, cut the pipe a little longer than the measured distance.
3. Make sure that the pipe is cut at a perfect 90° angle.



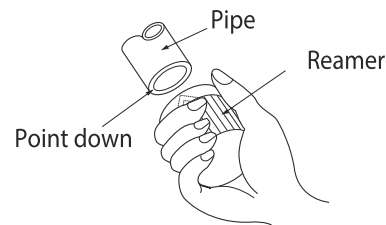
DO NOT DEFORM PIPE WHILE CUTTING

Be extra careful not to damage, dent, or deform the pipe while cutting. This will drastically reduce the heating efficiency of the unit.

Step 2: Remove burrs.

Burrs can affect the air-tight seal of refrigerant piping connection. They must be completely removed.

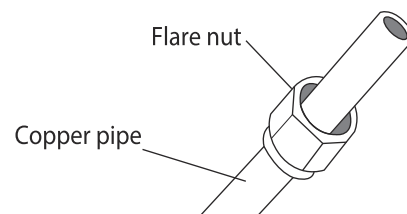
1. Hold the pipe at a downward angle to prevent burrs from falling into the pipe.
2. Using a reamer or deburring tool, remove all burrs from the cut section of the pipe.



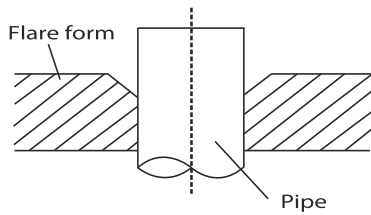
Step 3: Flare pipe ends

Proper flaring is essential to achieve an airtight seal.

1. After removing burrs from cut pipe, seal the ends with PVC tape to prevent foreign materials from entering the pipe.
2. Sheath the pipe with insulating material.
3. Place flare nuts on both ends of pipe. Make sure they are facing in the right direction, because you can't put them on or change their direction after flaring.



- Remove PVC tape from ends of pipe when ready to perform flaring work.
- Clamp flare form on the end of the pipe. The end of the pipe must extend beyond the flare form.



- Place flaring tool onto the form.
- Turn the handle of the flaring tool clockwise until the pipe is fully flared. Flare the pipe in accordance with the dimensions.

PIPING EXTENSION BEYOND FLARE FORM

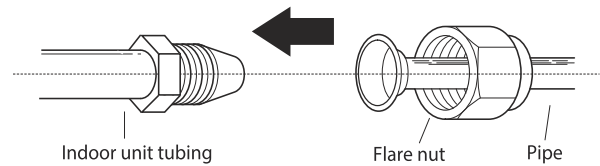
Pipe gauge	Tightening torque	Flare dimension (A) (Unit: mm/Inch)		Flare shape
		Min.	Max.	
Ø 6.35 (Ø 1/4")	18-20 N.m (180-200kgf.cm)	8.4/0.33	8.7/0.34	
Ø 9.52 (Ø 3/8")	32-39 N.m (320-390kgf.cm)	13.2/0.52	13.5/0.53	
Ø 12.7 (Ø 1/2")	49-59 N.m (490-590kgf.cm)	16.2/0.64	16.5/0.65	
Ø 16 (Ø 5/8")	57-71 N.m (570-710kgf.cm)	19.2/0.76	19.7/0.78	
Ø 19 (Ø 3/4")	67-101 N.m (670-1010kgf.cm)	23.2/0.91	23.7/0.93	
Ø 22 (Ø 7/8")	85-110 N.m (850-1100kgf.cm)	26.4/1.04	26.9/1.06	

- Remove the flaring tool and flare form, then inspect the end of the pipe for cracks and even flaring.

Step 4: Connect pipes

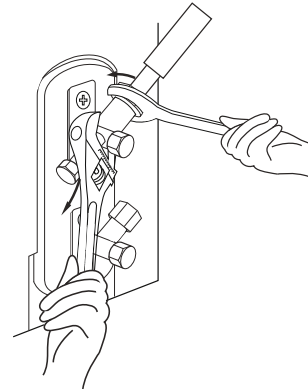
Connect the copper pipes to the indoor unit first, then connect it to the outdoor unit. You should first connect the low-pressure pipe, then the high-pressure pipe.

- When connecting the flare nuts, apply a thin coat of refrigeration oil to the flared ends of the pipes.
- Align the center of the two pipes that you will connect.



- Tighten the flare nut as tightly as possible by hand.
- Using a spanner, grip the nut on the unit tubing.
- While firmly gripping the nut, use a torque wrench to tighten the flare nut according to the torque values in above table.

NOTE: Use both a spanner and a torque wrench when connecting or disconnecting pipes to/from the unit.



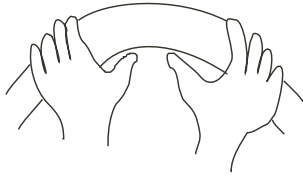
CAUTION

- Ensure to wrap insulation around the piping. Direct contact with the bare piping may result in burns or frostbite.
- Make sure the pipe is properly connected. Over tightening may damage the bell mouth and under tightening may lead to leakage.

NOTE ON MINIMUM BEND RADIUS

Carefully bend the tubing in the middle according to the diagram below. **DO NOT** bend the tubing more than 90° or more than 3 times.

Bend the pipe with thumb



min-radius 10cm (3.9")

6. After connecting the copper pipes to the indoor unit, wrap the power cable, signal cable and the piping together with binding tape.

NOTE: DO NOT intertwine signal cable with other wires. While bundling these items together, do not intertwine or cross the signal cable with any other wiring.

7. Thread this pipeline through the wall and connect it to the outdoor unit.
8. Insulate all the piping, including the valves of the outdoor unit.
9. Open the stop valves of the outdoor unit to start the flow of the refrigerant between the indoor and outdoor unit.

⚠ CAUTION

Check to make sure there is no refrigerant leak after completing the installation work. If there is a refrigerant leak, ventilate the area immediately and evacuate the system (refer to the Air Evacuation section of this manual).

Wiring

! BEFORE PERFORMING ANY ELECTRICAL WORK, READ THESE REGULATIONS

1. All wiring must comply with local and national electrical codes, regulations and must be installed by a licensed electrician.
2. All electrical connections must be made according to the Electrical Connection Diagram located on the panels of the indoor and outdoor units.
3. If there is a serious safety issue with the power supply, stop work immediately. Explain your reasoning to the client, and refuse to install the unit until the safety issue is properly resolved.
4. Power voltage should be within 90-110% of rated voltage. Insufficient power supply can cause malfunction, electrical shock, or fire.
5. If connecting power to fixed wiring, a surge protector and main power switch should be installed.
6. If connecting power to fixed wiring, a switch or circuit breaker that disconnects all poles and has a contact separation of at least 1/8in (3mm) must be incorporated in the fixed wiring. The qualified technician must use an approved circuit breaker or switch.
7. Only connect the unit to an individual branch circuit outlet. Do not connect another appliance to that outlet.
8. Make sure to properly ground the air conditioner.
9. Every wire must be firmly connected. Loose wiring can cause the terminal to overheat, resulting in product malfunction and possible fire.
10. Do not let wires touch or rest against refrigerant tubing, the compressor, or any moving parts within the unit.
11. If the unit has an auxiliary electric heater, it must be installed at least 1 meter (40in) away from any combustible materials.
12. To avoid getting an electric shock, never touch the electrical components soon after the power supply has been turned off. After turning off the power, always wait 10 minutes or more before you touch the electrical components.

13. Make sure that you do not cross your electrical wiring with your signal wiring. This may cause distortion and interference.
14. The unit must be connected to the main outlet. Normally, the power supply must have a impedance of 32 ohms.
15. No other equipment should be connected to the same power circuit.
16. Connect the outdoor wires before connecting the indoor wires.

⚠ WARNING

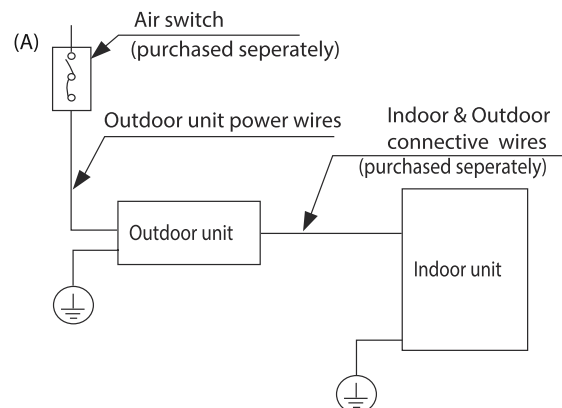
BEFORE PERFORMING ANY ELECTRICAL OR WIRING WORK, TURN OFF THE MAIN POWER TO THE SYSTEM.

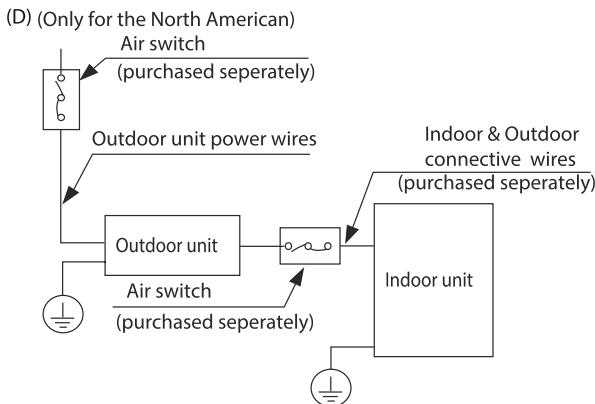
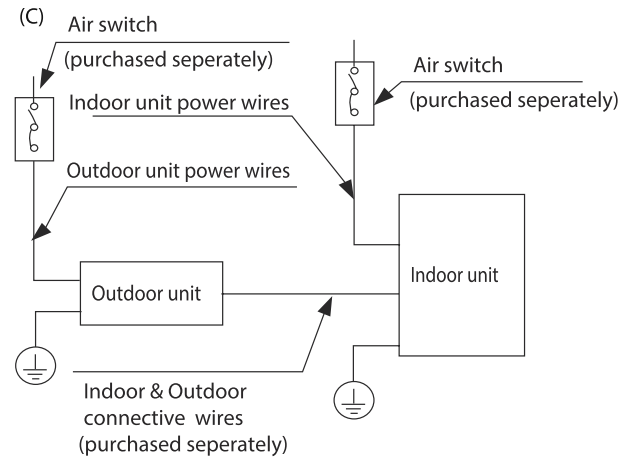
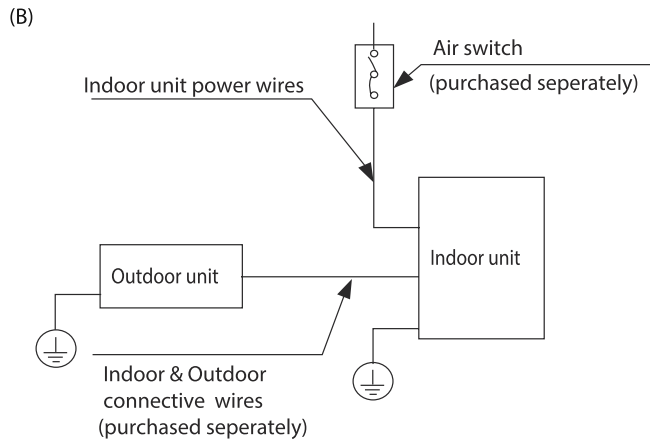
NOTE ON AIR SWITCH

When the maximum current of the air conditioner is more than 16A, an air switch or leakage protection switch with protective device shall be used (purchased separately).

When the maximum current of the air conditioner is less than 16A, the power cord of air conditioner shall be equipped with plug (purchased separately).

The North American market is wired according to NEC and CEC requirements.





NOTE: The cognographs are for explanation purpose only. Your machine may be slightly different. The actual shape shall prevail.

Outdoor Unit Wiring

WARNING

Before performing any electrical or wiring work, turn off the main power to the system.

1. Prepare the cable for connection
 - a. You must first choose the right cable size. Be sure to use H07RN-F cables.

NOTE: In North America, choose the cable type according to the local electrical codes and regulations.

Minimum Cross-Sectional Area of Power and Signal Cables (For reference)

Rated Current of Appliance (A)	Nominal Cross-Sectional Area (mm ²)
> 3 and ≤ 6	0.75
> 6 and ≤ 10	1
> 10 and ≤ 16	1.5
> 16 and ≤ 25	2.5
> 25 and ≤ 32	4
> 32 and ≤ 40	6

CHOOSE THE RIGHT CABLE SIZE

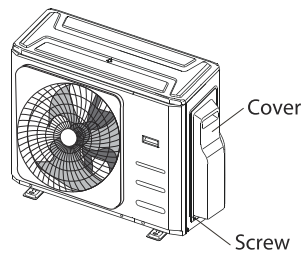
The size of the power supply cable, signal cable, fuse, and switch needed is determined by the maximum current of the unit. The maximum current is indicated on the nameplate located on the side panel of the unit. Refer to this nameplate to choose the right cable, fuse, or switch.

NOTE: In North America, please choose the right cable size according to the Minimum Circuit Ampacity indicated on the nameplate of the unit.

- b. Using wire strippers, strip the rubber jacket from both ends of the signal cable to reveal approximately 15cm (5.9") of wire.
- c. Strip the insulation from the ends.
- d. Using a wire crimper, crimp u-lugs on the ends.

NOTE: When connecting the wires, strictly follow the wiring diagram found inside the electrical box cover.

- Remove the electric cover of the outdoor unit. If there is no cover on the outdoor unit, take off the bolts from the maintenance board and remove the protection board.



- Connect the u-lugs to the terminals Match the wire colors/labels with the labels on the terminal block, and firmly screw the u-lug of each wire to its corresponding terminal.
- Clamp down the cable with designated cable clamp.
- Insulate unused wires with electrical tape. Keep them away from any electrical or metal parts.
- Reinstall the cover of the electric control box.

Harmonic declaration

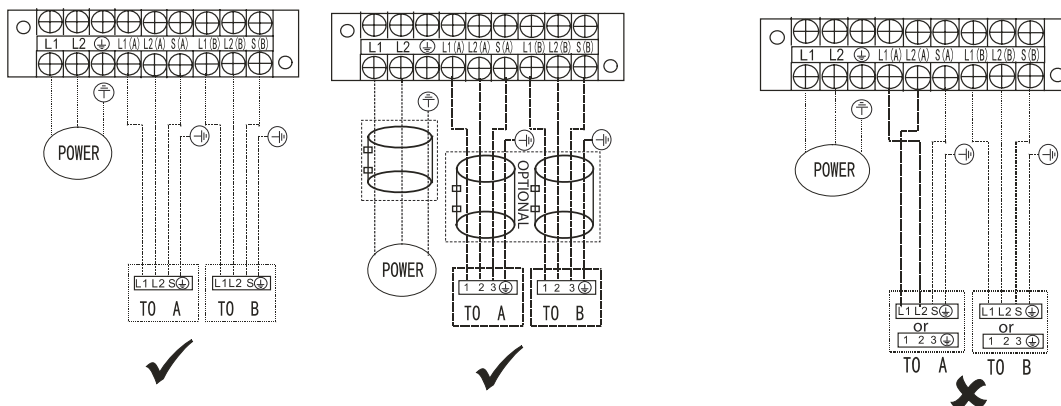
"The equipment M4OB-36HFN8-Q complies with IEC 61000-3-12 provided that the shortcircuit power S_{sc} is greater than or equal to 4787737.5 at the interface point between the user's supply and the public system. It is the responsibility of the installer or user of the equipment to ensure, by consultation with the distribution network operator if necessary, that the equipment is connected only to a supply with a short-circuit power S_{sc} greater than or equal to 4787737.5."

"The equipment M5OD-42HFN8-Q complies with IEC 61000-3-12 provided that the shortcircuit power S_{sc} is greater than or equal to 3190042.5 at the interface point between the user's supply and the public system. It is the responsibility of the installer or user of the equipment to ensure, by consultation with the distribution network operator if necessary, that the equipment is connected only to a supply with a short-circuit power S_{sc} greater than or equal to 3190042.5."

Wiring Figure

⚠ CAUTION

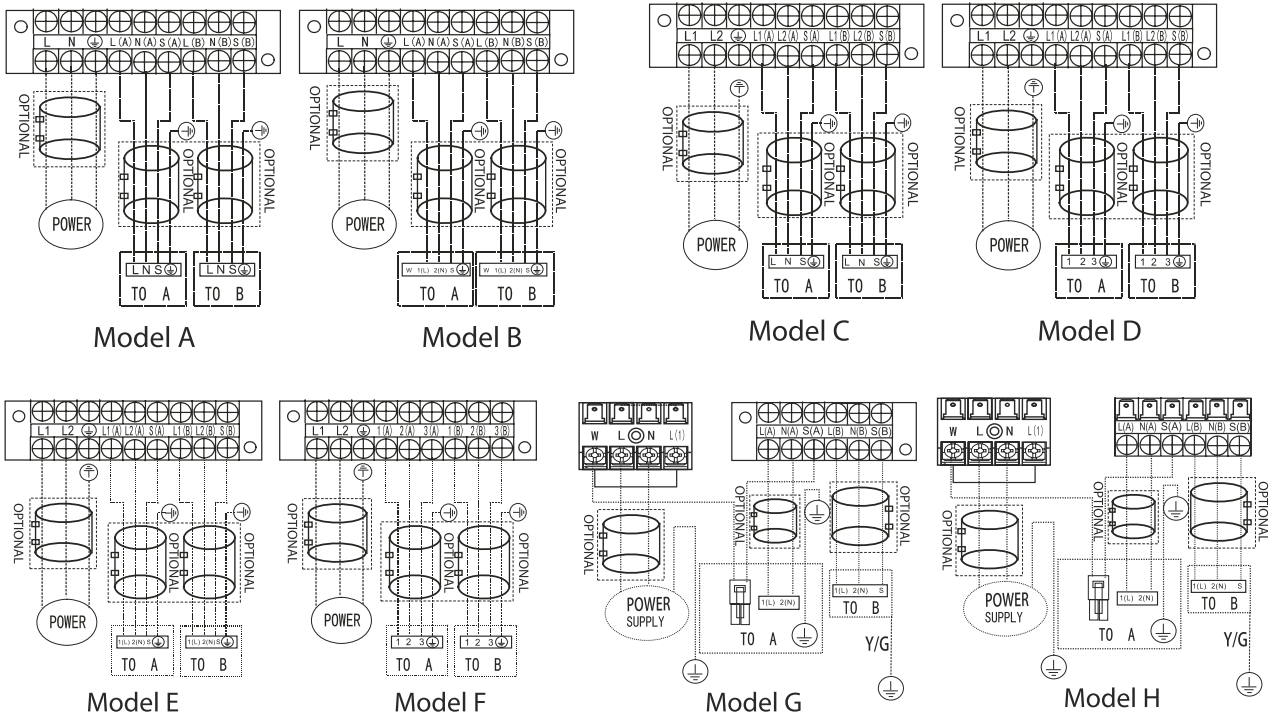
Connect the connective cables to the terminals, as identified, with their matching numbers on the terminal block of the indoor and outdoor units. For example, Terminal L1(A) of the outdoor unit must connect with terminal L1/1 on the indoor unit. The outdoor unit can match different types of indoor unit, the numbers on the terminal block of the indoor unit may be slightly different. Please pay special attention while connecting the wire.



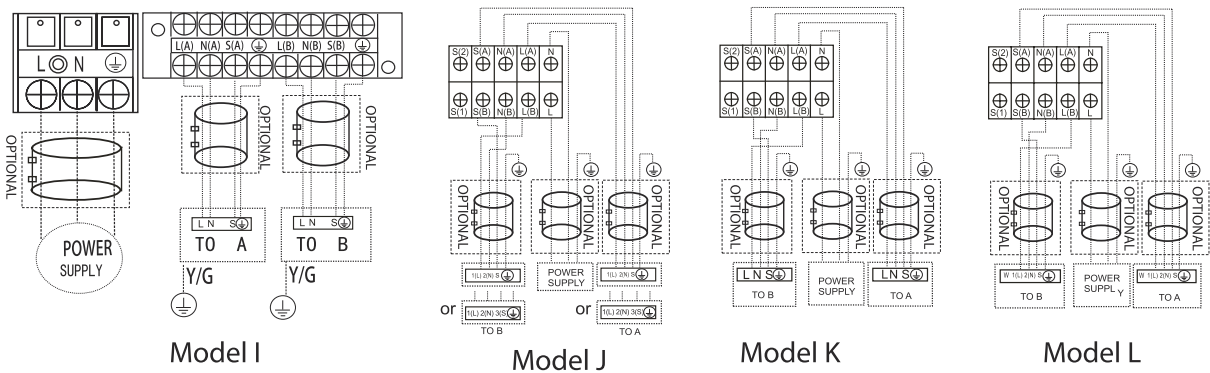
NOTE: For quick-connector models, please refer to <<Owner's Manual & Installation Manual >> packed with the indoor unit.

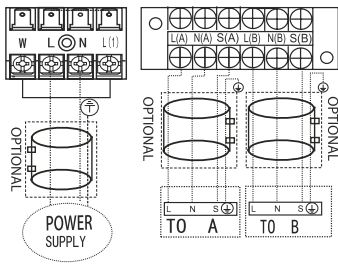
NOTE: Refer to the following figures if end-users wish to perform their own wiring.
Run the main power cord through the lower line-outlet of the cord clamp.
---- This symbol indicates field wiring.

One-two models:

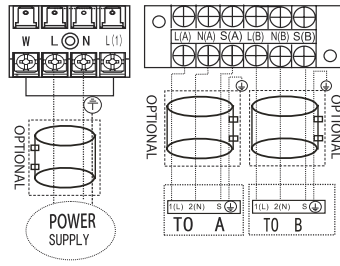


NOTE: Use the magnetic ring (not supplied, optional part) to hitch the connective cable of indoor and outdoor units after installation. One magnetic ring is used for one cable.

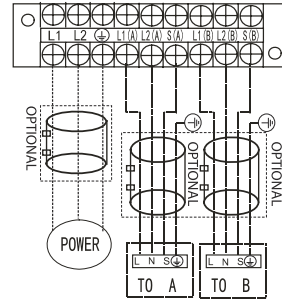




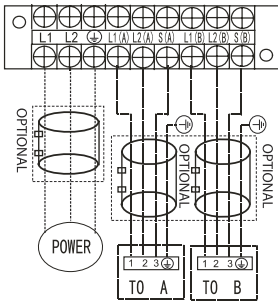
Model M



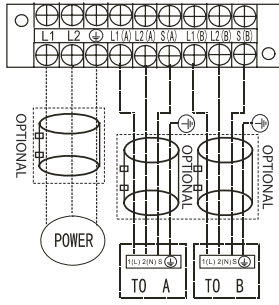
Model N



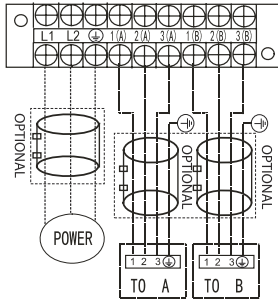
Model O



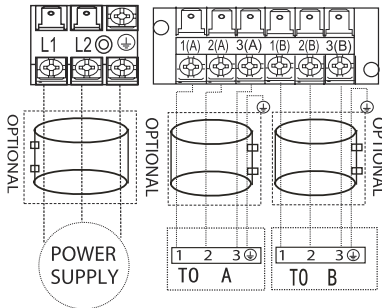
Model P



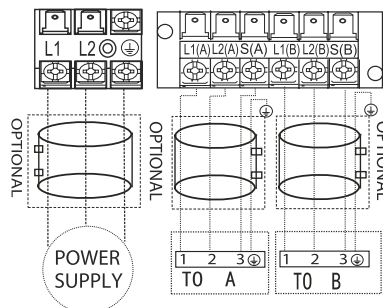
Model Q



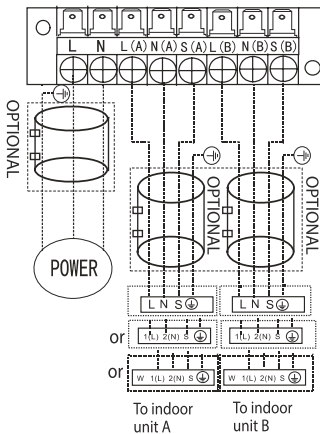
Model R



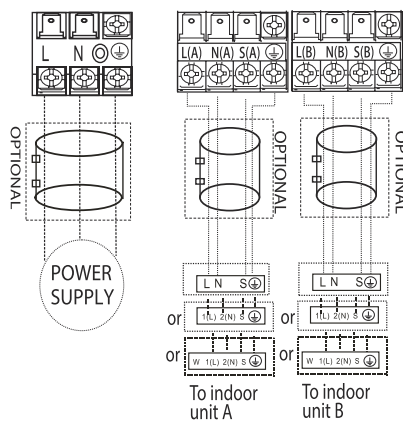
Model S



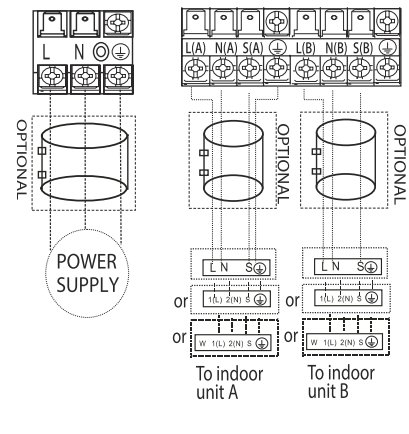
Model T



Model U

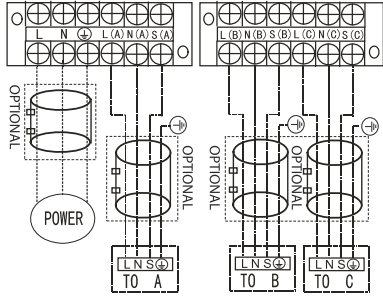


Model V

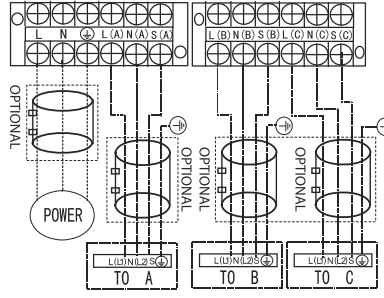


Model W

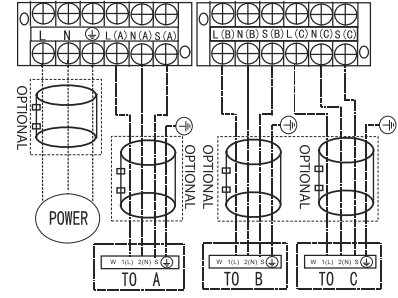
One-three models:



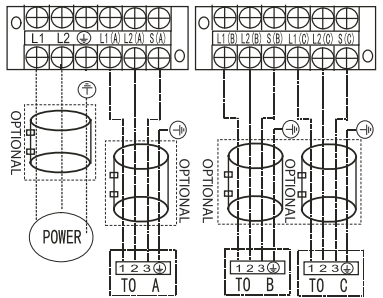
Model A



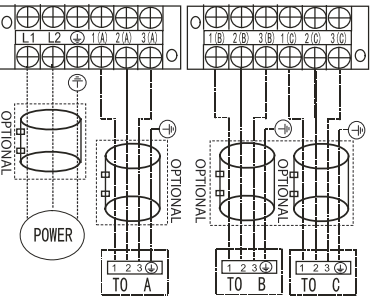
Model B



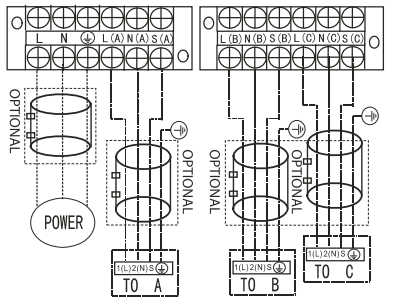
Model C



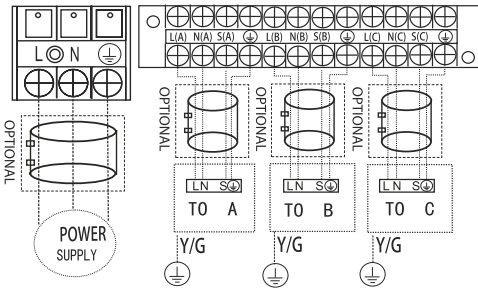
Model D



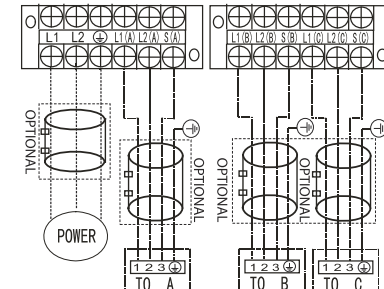
Model E



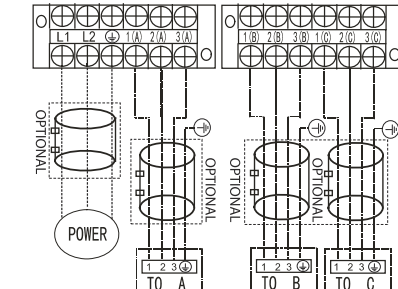
Model F



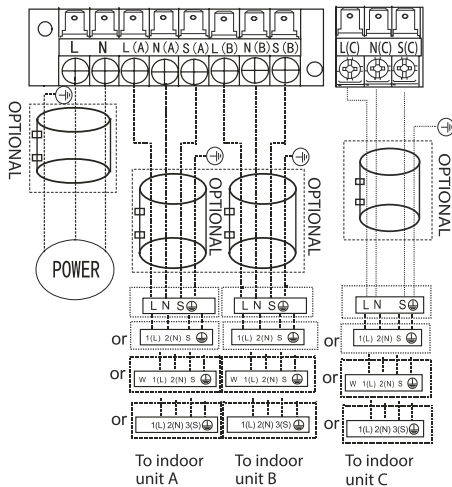
Model G



Model H

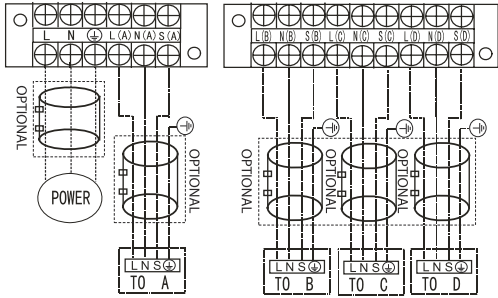


Model I

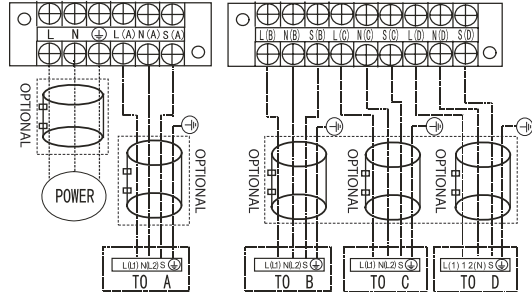


Model J

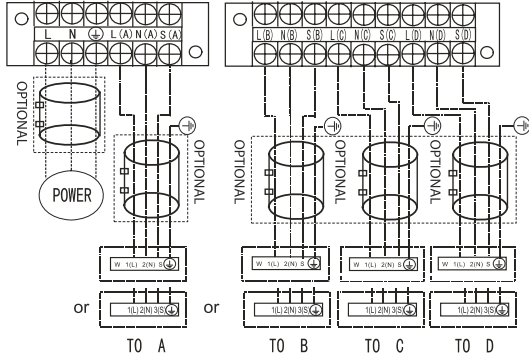
One-four models:



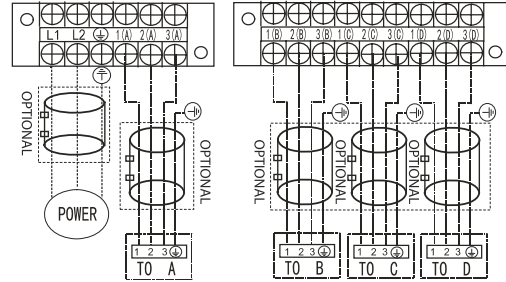
Model A



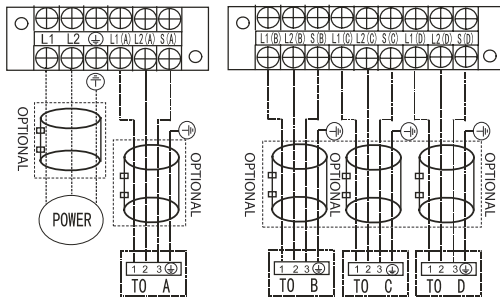
Model B



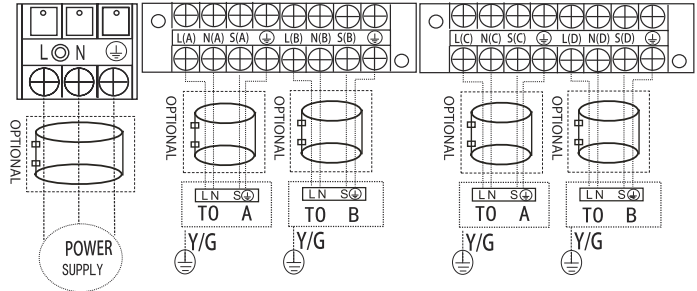
Model C



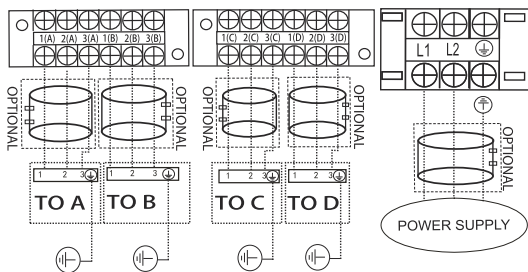
Model D



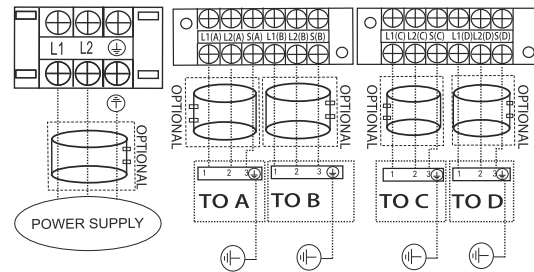
Model E



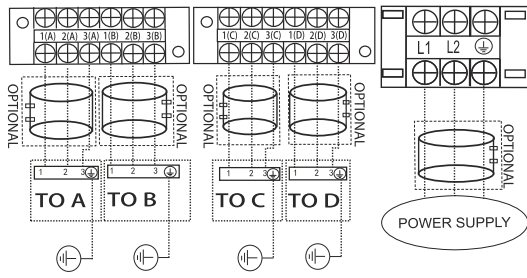
Model F



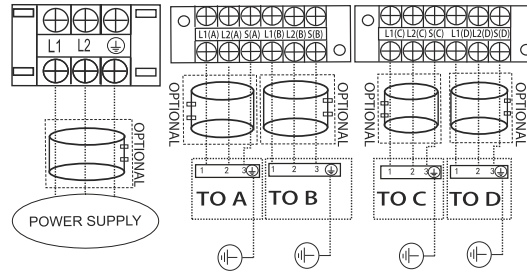
Model G



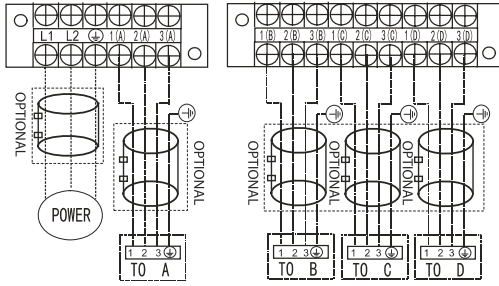
Model H



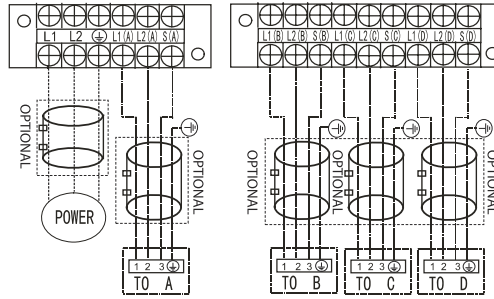
Model I



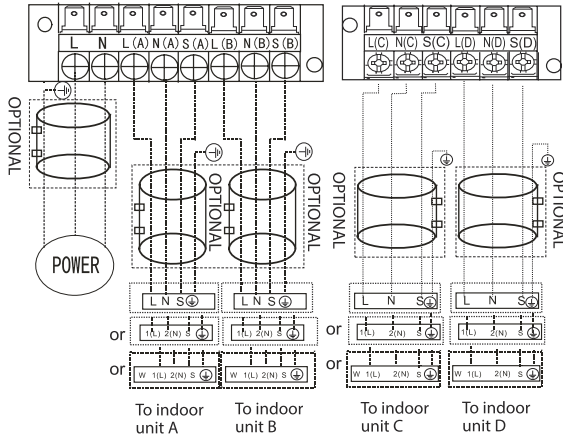
Model J



Mode K

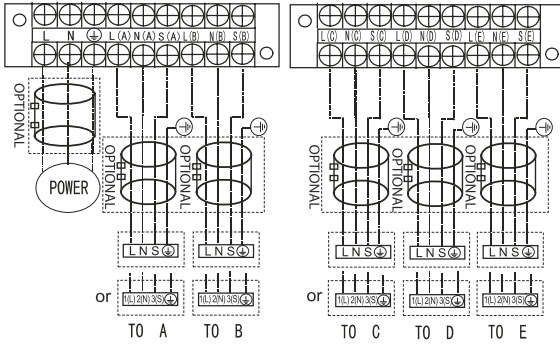


Model L

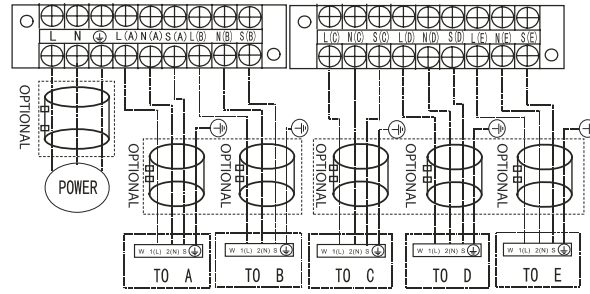


Model M

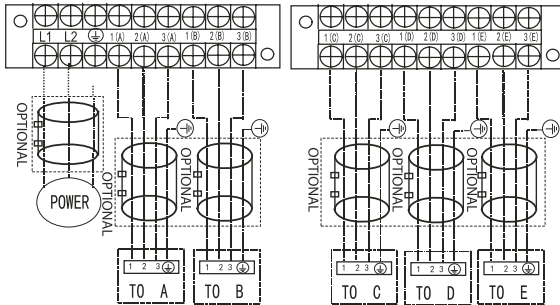
One-five models:



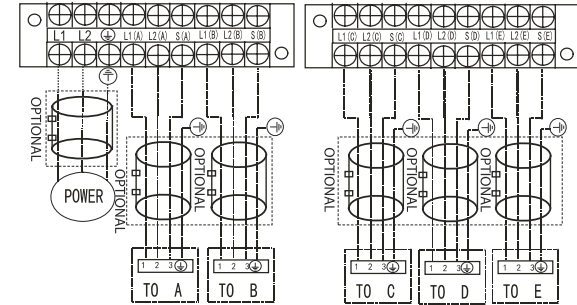
Model A



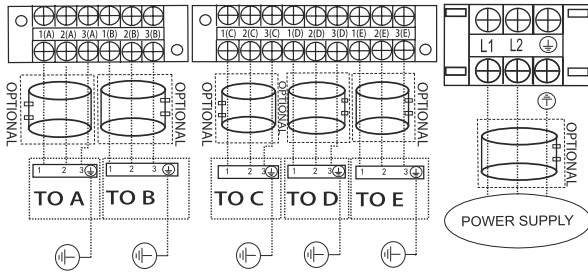
Model B



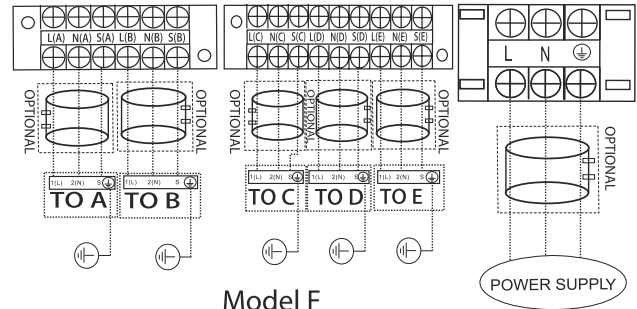
Model C



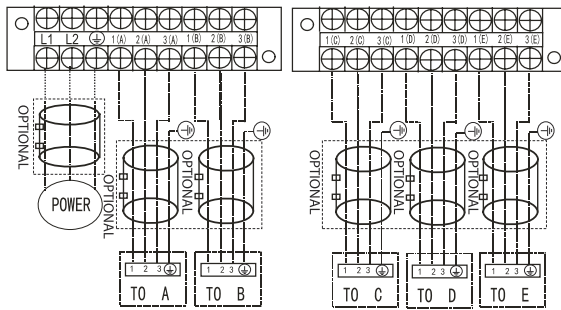
Model D



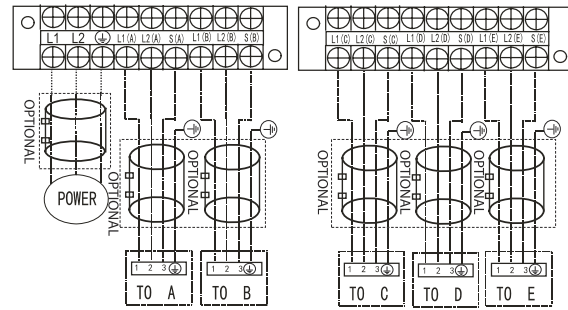
Model E



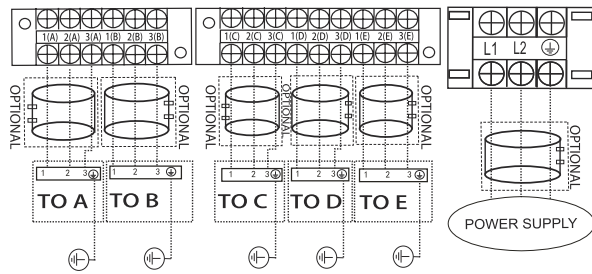
Model F



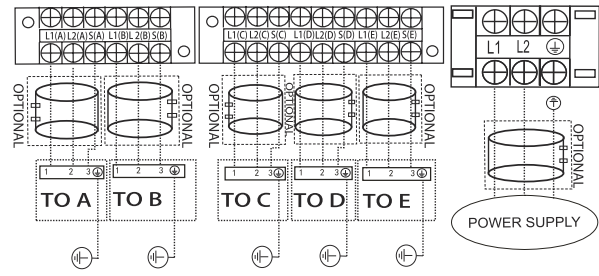
Model G



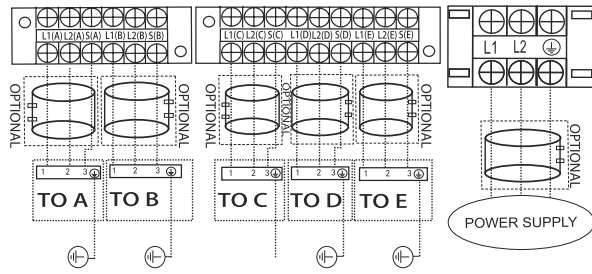
Model H



Model I



Model J



Model K

⚠ CAUTION

After confirmation of the above conditions, follow these guidelines when performing wiring:

- Always have an individual power circuit specifically for the air conditioner. Always follow the circuit diagram posted on the inside of the control cover.
- Screws fastening the wiring in the casing of electrical fittings may come loose during transportation. Because loose screws may cause wire burn-out, check that the screws are tightly fastened.
- Check the specifications for the power source.
- Confirm that electrical capacity is sufficient.
- Confirm that starting voltage is maintained at more than 90 percent of the rated voltage marked on the name plate.
- Confirm that the cable thickness is as specified in the power source specifications.
- Always install an earth leakage circuit breaker in wet or moist areas.
- The following can be caused by a drop in voltage: vibration of a magnetic switch, damaging the contact point, broken fuses, and disturbance of normal functioning.
- Disconnection from a power supply must be incorporated into the fixed wiring. It must have an air gap contact separation of at least 3mm in each active (phase) conductors.
- Before accessing terminals, all supply circuits must be disconnected.

NOTE:

To satisfy the EMC compulsory regulations, which is required by the international standard CISPR 14-1:2005/A2:2011 in specific countries or districts, please make sure you apply the correct magnetic rings on your equipment according to the wiring diagram that adhere to the your equipment.

Please contact your distributor or installer to get further information and purchase magnetic rings (The supplier of magnetic ring is TDK (model ZCAT3035-1330) or similar).

Air Evacuation

Preparations and Precautions

Air and foreign matter in the refrigerant circuit can cause abnormal rises in pressure, which can damage the air conditioner, reduce its efficiency, and cause injury. Use a vacuum pump and manifold gauge to evacuate the refrigerant circuit, removing any non-condensable gas and moisture from the system.

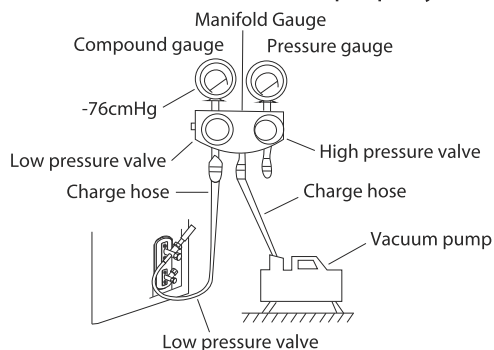
Evacuation should be performed upon initial installation and when unit is relocated.

BEFORE PERFORMING EVACUATION

- ✓ Check to make sure the connective pipes between the indoor and outdoor units are connected properly.
- ✓ Check to make sure all wiring is connected

Evacuation Instructions

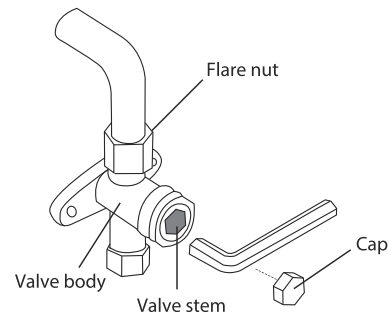
Before using a manifold gauge and a vacuum pump, read their operation manuals to make sure you know how to use them properly.



1. Connect the manifold gauge's charge hose to the service port on the outdoor unit's low pressure valve.
2. Connect the manifold gauge's charge hose from the to the vacuum pump.
3. Open the Low Pressure side of the manifold gauge. Keep the High Pressure side closed.
4. Turn on the vacuum pump to evacuate the system.
5. Run the vacuum for at least 15 minutes, or until the Compound Meter reads -76cmHG (-1x105Pa).
6. Close the manifold gauge's Low Pressure valve and turn off the vacuum pump.
7. Wait for 5 minutes, then check that there has been no change in system pressure.

NOTE: If there is no change in system pressure, unscrew the cap from the packed valve (high pressure valve). If there is a change in system pressure, there may be a gas leak.

8. Insert hexagonal wrench into the packed valve (high pressure valve) and open the valve by turning the wrench 1/4 counterclockwise. Listen for gas to exit the system, then close the valve after 5 seconds.



9. Watch the Pressure Gauge for one minute to make sure that there is no change in pressure. It should read slightly higher than the atmospheric pressure.
10. Remove the charge hose from the service port.
11. Using hexagonal wrench, fully open both the high pressure and low pressure valves.

OPEN VALVE STEMS GENTLY

When opening valve stems, turn the hexagonal wrench until it hits against the stopper. **DO NOT** try to force the valve to open further.

12. Tighten valve caps by hand, then tighten it using the proper tool.
13. If the outdoor unit uses all vacuum valves, and the vacuum position is at the main valve, the system is not connected with the indoor unit. The valve must be tightened with a screw nut. Check for gas leaks before operation to prevent leakage.

Note On Adding Refrigerant

CAUTION

- Refrigerant charging must be performed after wiring, vacuuming, and the leak testing.
- **DO NOT** exceed the maximum allowable quantity of refrigerant or overcharge the system. Doing so can damage the unit or impact its functioning.
- Charging with unsuitable substances may cause explosions or accidents. Ensure that the appropriate refrigerant is used.
- Refrigerant containers must be opened slowly. Always use protective gear when charging the system.
- **DO NOT** mix refrigerants types.
- For the R290 or R32 refrigerant model, make sure the conditions within the area have been made safe by control of flammable material when the refrigerant added into air conditioner.

N=2(one-twin models), N=3(one-three models), N=4(one-four models), N=5(one-five models). Depending on the length of connective piping or the pressure of the evacuated system, you made need to add refrigerant. Refer to table below for refrigerant amounts to be added:

ADDITIONAL REFRIGERANT PER PIPE LENGTH

Connective Pipe Length(m)	Air Purging Method	Additional Refrigerant	
Pre-charge pipe length (ft/m) (pre-charge pipe length xN)	Vacuum Pump	N/A	
More than (pre-charge pipe lengthxN) ft/m	Vacuum Pump	Liquid Side: Ø 6.35 (Ø 1/4") R32 (Total pipe length - pre-charge pipe lengthxN) x12g/m (Total pipe length - pre-charge pipe lengthxN) x0.13oz/ft	Liquid Side: Ø 9.52 (Ø 3/8") R32 (Total pipe length - pre-charge pipe lengthxN) x24g/m (Total pipe length - pre-charge pipe lengthxN) x0.26oz/ft
		Liquid Side: Ø 6.35 (Ø 1/4") R410A (Total pipe length - pre-charge pipe lengthxN) x15g/m (Total pipe length - pre-charge pipe lengthxN) x0.16oz/ft	Liquid Side: Ø 9.52 (Ø 3/8") R410A (Total pipe length - pre-charge pipe lengthxN) x30g/m (Total pipe length - pre-charge pipe lengthxN) x0.32oz/ft

NOTE: The standard pipe length is 7.5m.

ADDITIONAL REFRIGERANT FOR INDOOR MODELS

When the one-five model is equipped with the following AHU indoor unit, additional refrigerant shall be added.

Indoor Unit Model	Amount Of Refrigerant
30000Btu/h	0.5 kg (17.6 oz)
36000Btu/h	

Only for Australia models :

- **DO NOT** mix refrigerants types.

N=2(one-twin models),N=3(one-three models),N=4(one-four models),N=5(one-five models).

Some systems require additional charging depending on pipe lengths. The standard pipe length is 10m. The additional refrigerant to be charged can be calculated using the following formula:

ADDITIONAL REFRIGERANT PER PIPE LENGTH

Connective Pipe Length(m)	Air Purging Method	Additional Refrigerant(R410A)	
Less than Standard pipe length x N	Vacuum Pump	N/A	
More than Standard pipe length x N	Vacuum Pump	Liquid Side: Ø 6.35 (Ø 1/4") (Total pipe length - pre-charge pipe lengthxN) x15g/m	Liquid Side: Ø 9.52 (Ø 3/8") (Total pipe length - pre-charge pipe lengthxN) x30g/m

Make sure to remove the additional refrigerant charge according to the rated volume (5m refrigerant piping) when doing market or government verification test.

Safety And Leakage Check

Electrical safety check

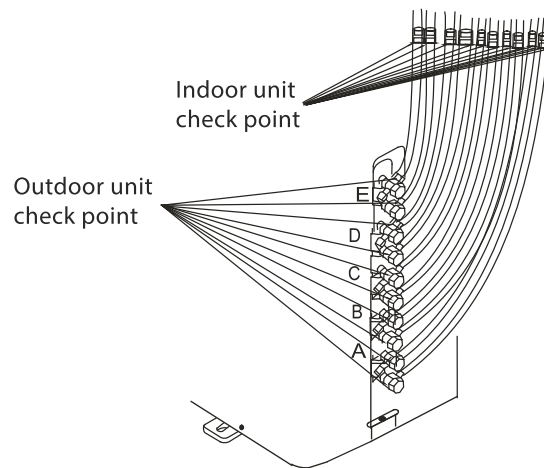
Perform the electrical safety check after completing installation. Cover the following areas:

1. Insulated resistance
The insulated resistance must be more than $2M\Omega$.
2. Grounding work
After finishing grounding work, measure the grounding resistance by visual detection and using the grounding resistance tester. Make sure the grounding resistance is less than 4Ω .
3. Electrical leakage check (performing during test while unit is on)
During a test operation after completed installation, the use the electroprobe and multimeter to perform an electrical leakage check. Turn off the unit immediately if leakage happens. Try and evaluate different solutions until the unit operates properly.

Gas leak check

1. Soap water method:
Apply a soap-water solution or a liquid neutral detergent on the indoor unit connection or outdoor unit connections with a soft brush to check for leakage of the connecting points of the piping. If bubbles emerge, the pipes are experiencing leakage.
2. Leak detector
Use the leak detector to check for leakage.

NOTE: The illustration is for example purposes only. The actual order of A, B, C, D, and E on the machine may be slightly different from the unit you purchased but the general shape will remain the same.



A, B, C, D are points for one-four type.
A, B, C, D, and E are points for the one-five type.

Test Run

Before Test Run

A test run must be performed after the entire system has been completely installed. Confirm the following points before performing the test:

- a) The indoor and outdoor units are properly installed.
 - b) Piping and wiring are properly connected.
 - c) No obstacles near the inlet and outlet of the unit that might cause poor performance or product malfunction.
 - d) The refrigeration system does not leak.
 - e) Drainage system is unimpeded and draining to a safe location.
 - f) The heating insulation is properly installed.
 - g) The grounding wires are properly connected.
 - h) Length of the piping and additional refrigerant stow capacity have been recorded.
 - i) The power voltage is the correct voltage for the air conditioner.
5. For the Outdoor Unit
 - a. Check to see if the refrigeration system is leaking.
 - b. Make sure there is no vibration or abnormal noise during operation.
 - c. Ensure the wind, noise, and water generated by the unit do not disturb your neighbors or pose a safety hazard.

NOTE: If the unit malfunctions or does not operate according to your expectations, please refer to the Troubleshooting section of the Owner's Manual before calling customer service.

CAUTION

Failure to perform the test run may result in unit damage, property damage or personal injury.

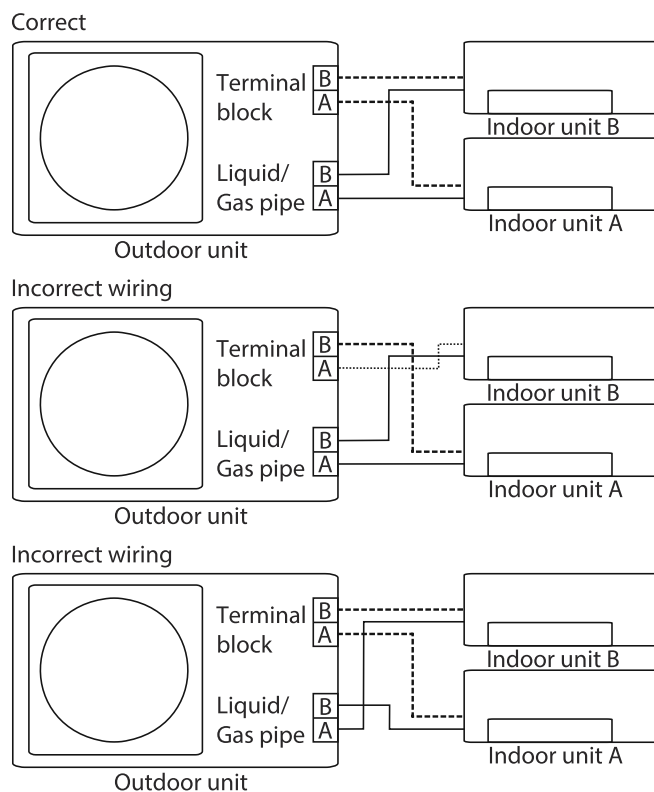
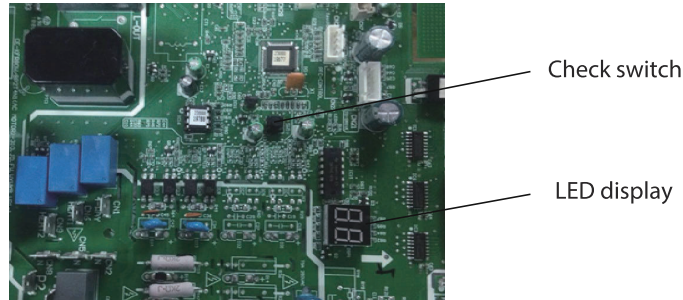
Test Run Instructions

1. Open both the liquid and gas stop valves.
2. Turn on the main power switch and allow the unit to warm up.
3. Set the air conditioner to COOL mode.
4. For the Indoor Unit
 - a. Ensure the remote control and its buttons work properly.
 - b. Ensure the louvers move properly and can be changed using the remote control.
 - c. Double check to see if the room temperature is being registered correctly.
 - d. Ensure the indicators on the remote control and the display panel on the indoor unit work properly.
 - e. Ensure the manual buttons on the indoor unit works properly.

Function of Automatic Wiring/Piping Correction

Automatic Wiring/Piping Correction Function

More recent models now feature automatic correction of wiring/piping errors. Press the "check switch" on the outdoor unit PCB board for 5 seconds until the LED displays "CE", indicating that this function is working. Approximately 5-10 minutes after the switch is pressed, the "CE" disappears, meaning that the wiring/piping error is corrected and all wiring/piping is properly connected.



How To Activate This Function

1. Check that outside temperature is above 5 °C.
(This function does not work when outside temperature is not above 5 °C)
2. Check that the stop valves of the liquid pipe and gas pipe are open.
3. Turn on the breaker and wait at least 2 minutes.
4. Press the check switch on the outdoor PCB board unit LED display "CE".

Tabla de contenidos

Precauciones de Seguridad	04
--	-----------

Manual de Propietario

Piezas de la unidad y funciones principales	08
--	-----------

1. Piezas de la unidad.	08
2. Temperatura de operación.....	10
3. Características.....	11

Manual de operaciones y mantenimiento	13
--	-----------

Solución de problemas	14
------------------------------------	-----------

Manual de instalación

Accesorios	17
Resumen de instalación	18
Diagrama de instalación	19
Especificaciones	20
Instalación de unidad exterior.....	21
1. Seleccione el lugar de instalación	21
2. Instale la junta de drenaje	22
3. Ancle la unidad exterior	22
Conexión de tubería de refrigerante.....	24
1. Corte los tubos.	24
2. Elimine las rebabas.	24
3. Terminales de tubo acampanado	24
4. Conecte los tubos.....	25
Cableado	27
1. Cableado de unidad exterior	29
2. Figura de cableado.....	30
Evacuación de aire	37
1. Nota de carga de refrigerante.....	38
2. Verificación de seguridad y fugas.....	40
Puesta en marcha.....	41
Función de corrección automática de cableado / tuberías	42

Precauciones de seguridad

Lea las Precauciones de seguridad antes de la instalación y la utilización

La instalación incorrecta por ignorar las instrucciones puede causar daños o lesiones graves.

La gravedad del daño potencial o las lesiones se clasifica como **ADVERTENCIA** o **PRECAUCIÓN**.

ADVERTENCIA

Este símbolo indica la posibilidad de lesiones personales o pérdida de vidas.

PRECAUCIÓN

Este símbolo indica la posibilidad de daños a la propiedad o graves consecuencias.

ADVERTENCIA

Este equipo puede ser manipulado por niños a partir de 8 años y personas con capacidades físicas, sensoriales o mentales reducidas o sin experiencia y conocimiento si se les ha dado supervisión o instrucciones sobre el uso del aparato de manera segura y entienden los peligros involucrados. Los niños no deben jugar con el aparato. La limpieza y el mantenimiento no deben ser realizados por niños sin supervisión.

Este aparato no está diseñado para ser usado por personas (niños incluidos) con capacidades mentales, físicas o sensoriales reducidas o limitadas, o carentes de experiencia y conocimiento, a no ser que hayan recibido formación o supervisión sobre el uso del aparato por una persona responsable de su seguridad. Los niños deben ser vigilados para asegurarse de que no jueguen con el aparato.

ADVERTENCIAS PARA USO DEL PRODUCTO

- Si se produce una situación anormal (como el olor a quemadura), apague inmediatamente la unidad y desconecte la fuente de alimentación. Llame al distribuidor para las instrucciones para evitar descargas eléctricas, incendios o lesiones.
- **No** inserte dedos, varillas u otros objetos en la entrada o salida de aire. Eso puede causar lesiones, porque el ventilador podría estar girando a alta velocidad.
- **No** use aerosoles inflamables tales como aerosol de cabello, laca o pintura cerca de la unidad. Eso podría causar incendio o combustión.
- **No** opere el aire acondicionado en lugares cercanos o alrededor de gases combustibles. El gas emitido se puede coleccionar alrededor de la unidad y causar explosión.
- **No** utilice su deshumidificador en habitaciones húmedas, como baños o cuartos de lavado. Una exposición excesiva al agua puede cortocircuitar los componentes eléctricos.
- **No** exponga su cuerpo directamente al aire frío por largo tiempo.
- **No** deje que los niños jueguen con el aire acondicionado. Los niños alrededor de la unidad deben ser vigilados en todo momento.
- Si el aire acondicionado se usa junto con quemadores u otros dispositivos de calefacción, realice bien la ventilación de la habitación para evitar la deficiencia de oxígeno.
- En ciertos entornos funcionales, tales como cocinas, salas de servidores, etc., se recomienda usar unidades de aire acondicionado especialmente diseñadas.

ADVERTENCIAS DE LIMPIEZA Y MANTENIMIENTO

- Apague el dispositivo y desconecte la fuente de alimentación antes de realizar la limpieza. Si no lo hace, puede provocar descarga eléctrica.
- **No** limpie el aire acondicionado con agua de cantidad excesiva.

ADVERTENCIAS DE LIMPIEZA Y MANTENIMIENTO

- **No** limpie el aire acondicionado con agentes de limpieza combustibles. Los agentes de limpieza combustibles pueden provocar incendios o deformaciones.

PRECAUCIÓN

- Apague el aire acondicionado y desconecte la fuente de alimentación si no lo va a usarlo durante mucho tiempo.
- Apague y desenchufe la unidad bajo situación de tormentas.
- Asegúrese de que la condensación de agua pueda drenar sin obstáculos desde la unidad.
- **No** opere el aire acondicionado con manos mojadas. Eso podría causar descarga eléctrica.
- **No** utilice el dispositivo para ningún otro objetivo que no sea su uso predeterminado.
- **No** suba por encima ni coloque objetos por encima de la unidad exterior.
- **No** se permite que el aire acondicionado funcione durante largo tiempo con puertas o ventanas abiertas, o si la humedad es muy alta.

ADVERTENCIAS ELECTRICAS

- Use solo el cable de alimentación específico. Si el cable de alimentación está dañado, debe ser reemplazado por el fabricante, el agente de servicios o personas bien calificadas para evitar peligros.
- Mantenga limpio el enchufe de alimentación. Elimine el polvo o la mugre que se acumula en o alrededor del enchufe. Los enchufes sucios pueden causar incendios o descargas eléctricas.
- **No** tire del cable de alimentación para desconectar la unidad de la fuente de alimentación. Sujete el enchufe firmemente y sáquelo desde la toma de corriente. La tira directa del cable puede dañarlo, lo que puede causar incendios o descargas eléctricas.
- **No** modifique la longitud del cable de alimentación ni use el cable de extensión para alimentar la unidad.
- **No** usa la misma toma de corriente con otros aparatos. La fuente de alimentación inadecuada o insuficiente puede causar incendios o descargas eléctricas.
- El producto debe estar correctamente puesto a tierra en la instalación, de lo contrario puede generar descarga eléctrica.
- Para todo el trabajo eléctrico, siga todas las normas de cableado locales y nacionales, las reglamentaciones y el Manual de Instalación. Conecte los cables firmemente y sujételos firmemente para evitar que las fuerzas externas dañen el terminal. Las conexiones eléctricas inadecuadas pueden causar el sobrecalentamiento y provocar incendios, y también pueden causar descargas eléctricas. Todas las conexiones eléctricas deben realizarse de acuerdo con el Diagrama de Conexiones Eléctricas en los paneles de las unidades interior y exterior.
- Todo el cableado debe realizarse adecuadamente para garantizar que la cubierta de la placa de control pueda estar cerrada adecuadamente. Si la cubierta del tablero de control no se cierra adecuadamente, puede generar corrosión y causar que los puntos de conexión en el terminal se calienten, se genere incendios o se provoquen descargas eléctricas.
- Si se conecta la fuente de alimentación al cableado fijo, se necesita un dispositivo de desconexión que tenga al menos 3 mm de espacio libre en todos los polos, y que tenga una corriente de fuga que puede exceder 10 mA, el dispositivo de corriente residual (RCD) que tiene una corriente de funcionamiento residual nominal que no excede 30 mA, y la desconexión debe incorporarse en el cableado fijo de acuerdo con las reglas de cableado.

TOMA NOTA DE LAS ESPECIFICACIONES DE FUSIBLE

La placa de circuito (PCB) del aire acondicionado está diseñada con un fusible para proporcionar protección contra sobrecargas.

Las especificaciones del fusible están grabadas en la placa del circuito, y son:
T20A/250VAC(para <24000Btu/h unidad), T30A/250VAC(para >24000Btu/h unidad)

NOTA: Para las unidades con refrigerante R32 o R290, solo puede utilizarse fusible cerámico a prueba de explosión.

ADVERTENCIAS PARA LA INSTALACIÓN DEL PRODUCTO

1. La instalación debe ser realizada por un distribuidor autorizado o especialista. Una instalación defectuosa puede causar fugas de agua, descargas eléctricas o incendios.
2. La instalación debe realizarse de acuerdo a las instrucciones de instalación. Una instalación incorrecta puede causar fugas de agua, descargas eléctricas o incendios. (En América del Norte, la instalación se debe realizar de acuerdo con los requisitos de NEC y CEC solo por personal autorizado).
3. Contacte con el servicio técnico autorizado para la reparación o el mantenimiento de esta unidad. El aparato debe ser instalado de acuerdo con las leyes nacionales sobre cableado.
4. Sólo use los accesorios, piezas y piezas especificadas incluidas para la instalación. El uso de piezas no estándares puede causar fugas de agua, descargas eléctricas, incendios, y puede causar falla de la unidad.
5. Instale la unidad en una ubicación firme que pueda soportar el peso de la unidad. Si la ubicación elegida no puede soportar el peso de la unidad, o la instalación no se realiza adecuadamente, la unidad puede caerse y causar lesiones y daños graves.
6. Instale la tubería de drenaje de acuerdo con las instrucciones de este manual. El drenaje inadecuado puede causar daños por agua para su casa y propiedad.
7. Para las unidades que tienen un calentador eléctrico auxiliar, **no** instale la unidad a menos de 1 metro (3 pies) de cualquier material combustible.
8. **No** instale la unidad en un lugar que pueda estar expuesto a fugas de gas combustible. Si se acumulan gases combustibles alrededor de la unidad, puede provocar un incendio.
9. No encienda la alimentación hasta que se haya completado todo el trabajo.
10. Al mover o reubicar el aire acondicionado, consulte a técnicos de servicio experimentados para la desconexión y reinstalación de la unidad.
11. Para instalar el dispositivo en su soporte, lea la información para obtener detalles en las secciones "instalación de la unidad interior" e "instalación de la unidad exterior".

Aviso sobre los gases fluorados (no aplicable a la unidad que usa refrigerante R290)

1. Esta unidad de aire acondicionado contiene gases fluorados de efecto invernadero. Para obtener información específica sobre el tipo de gas y la cantidad, consulte la etiqueta correspondiente en la unidad o con el "Manual de Propietario - Ficha del Producto" en el embalaje de la unidad exterior. (sólo productos de la Unión Europea)
2. La instalación, el servicio técnico, el mantenimiento y la reparación de esta unidad deben ser realizados por un técnico certificado.
3. La desinstalación y el reciclaje del producto deben ser realizados por un técnico certificado.
4. Para equipos que contienen gases fluorados de efecto invernadero en cantidades de 5 toneladas de CO₂ equivalentes o más, pero de menos de 50 toneladas de CO₂ equivalente, si el sistema tiene instalado un sistema de detección de fugas, debe comprobarse si hay fugas al menos cada 24 meses.
5. Cuando se verifica la fuga de la unidad, se recomienda realizar registro adecuado para todas las verificaciones.

ADVERTENCIA para usar refrigerante R32

- Cuando se cargan refrigerantes inflamables, el aparato debe almacenarse en un área bien ventilada donde el tamaño de la habitación corresponda al área de la habitación como específico para la operación.
Para modelos con refrigerantes R32:
El aparato debe instalarse, operarse y almacenarse en una habitación con una superficie más de X m².
El electrodoméstico no debe instalarse en un espacio no ventilado, si ese espacio es menor que X m².
(Por favor vea el siguiente formulario).

Cantidad de refrigerante a ser cargado (kg)	Altura de la instalación (m)	Zona mínima de habitación (m²)	Cantidad de refrigerante a ser cargado (kg)	Altura de la instalación (m)	Zona mínima de habitación (m²)
1,0	0,6 /1,8 /2,2	9 /1 /1	1,95	0,6 /1,8 /2,2	33 /4 /2,5
1,05	0,6 /1,8 /2,2	9,5 /1,5 /1	2,0	0,6 /1,8 /2,2	34,5 /4 /3
1,1	0,6 /1,8 /2,2	10,5 /1,5 /1	2,05	0,6 /1,8 /2,2	36 /4 /3
1,15	0,6 /1,8 /2,2	11,5 /1,5 /1	2,1	0,6 /1,8 /2,2	38 /4,5 /3
1,2	0,6 /1,8 /2,2	12,5 /1,5 /1	2,15	0,6 /1,8 /2,2	40 /4,5 /3
1,25	0,6 /1,8 /2,2	13,5 /1,5 /1	2,2	0,6 /1,8 /2,2	41,5 /5 /3,5
1,3	0,6 /1,8 /2,2	14,5 /2 /1,5	2,25	0,6 /1,8 /2,2	43,5 /5 /3,5
1,35	0,6 /1,8 /2,2	16 /2 /1,5	2,3	0,6 /1,8 /2,2	45,5/5 /3,5
1,4	0,6 /1,8 /2,2	17/2 /1,5	2,35	0,6 /1,8 /2,2	47,5/5,5 /4
1,45	0,6 /1,8 /2,2	18 /2 /1,5	2,4	0,6 /1,8 /2,2	49,5 /5,5 /4
1,5	0,6 /1,8 /2,2	19,5 /2,5 /1,5	2,45	0,6 /1,8 /2,2	51,5 /6 /4
1,55	0,6 /1,8 /2,2	21 /2,5 /2	2,5	0,6 /1,8 /2,2	54 /6 /4
1,6	0,6 /1,8 /2,2	22 /2,5 /2	2,55	0,6 /1,8 /2,2	56 /6,5 /4,5
1,65	0,6 /1,8 /2,2	23,5 /3 /2	2,6	0,6 /1,8 /2,2	58 /6,5 /4,5
1,7	0,6 /1,8 /2,2	25 /3 /2	2,65	0,6 /1,8 /2,2	60,5/7 /4,5
1,75	0,6 /1,8 /2,2	26,5 /3 /2	2,7	0,6 /1,8 /2,2	63 /7 /5
1,8	0,6 /1,8 /2,2	28 /3,5 /2,5	2,75	0,6 /1,8 /2,2	65 /7,5 /5
1,85	0,6 /1,8 /2,2	29,5 /3,5 /2,5	2,8	0,6 /1,8 /2,2	67,5 /7,5 /5
1,9	0,6 /1,8 /2,2	31/3,5 /2,5	2,85	0,6 /1,8 /2,2	70 /8 /5,5

- Los conectores mecánicos reutilizables y las juntas acampanadas no están permitidos en el interior. (EN Requerimientos Estándar).
- Los conectores mecánicos utilizados en el interior deben tener una tasa de no más de 3 g / año al 25% de la presión máxima permitida. Cuando los conectores mecánicos se reutilizan en el interior, se deben reemplazar las piezas de sellado. Cuando las juntas abocinadas se reutilizan en el interior, la parte abocinada se debe refabricar. (UL Requerimientos Estándar)
- Cuando los conectores mecánicos se reutilizan en el interior, se deben reemplazar las piezas de sellado. Cuando las juntas abocinadas se reutilizan en el interior, la parte abocinada se debe refabricar. (Requerimientos Estándar IEC)
- Conectores mecánicos interiores deben cumplir con ISO 14903.

Pautas de Disposición Europeas

Esta marca mostrada en el producto o en su texto, indica que los residuos eléctricos y el equipamiento eléctrico no deben mezclarse con los residuos domésticos generales.



Disposición Correcta de Este Producto

(Aparatos residuales eléctricos & electrónicos)

Este aparato contiene refrigerantes y otros materiales potencialmente dañinos. Cuando se deshaga de este aparato, la ley requiere una recolección y un tratamiento especial. **No** se deshaga de este aparato como residuo doméstico o residuos municipales no clasificados.

Para desechar este dispositivo, tiene las siguientes opciones:

- Deseche el aparato en una instalación municipal designada de recolección electrónica de residuos.
- Al comprar un nuevo aparato, el minorista va a tomar el aparato viejo gratuitamente.
- El fabricante va a tomar el aparato viejo gratuitamente.
- Venda el aparato a distribuidores de chatarra certificados.

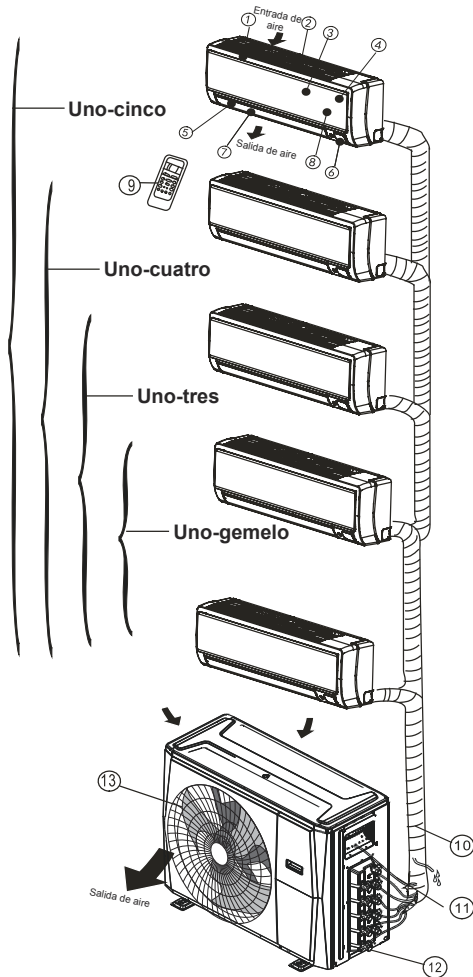
Noticia especial

Deshacerse de este aparato en el bosque o en cualquier otro entorno de la naturaleza pone en peligro su salud y es malo para el ecosistema. Las sustancias peligrosas pueden penetrarse en el agua subterránea e ingresar a la cadena alimentaria.

Piezas de la unidad y funciones principales

Piezas de la unidad

(A) Tipo montado en la pared



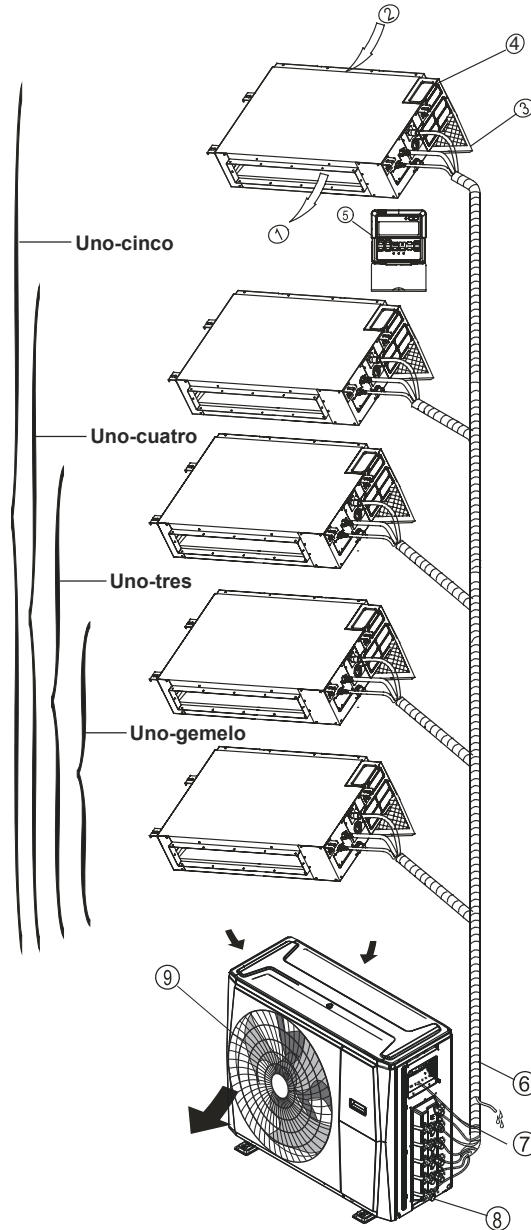
Unidad interior

1. Marco del panel
2. Rejilla de entrada de aire trasera
3. Panel frontal
4. Filtro purificador de aire y filtro de aire (detrás)
5. Rejilla horizontal
6. Ventanilla de pantalla LCD
7. Rejilla vertical
8. Botón de control manual (detrás)
9. Soporte del mando a distancia

Unidad exterior

10. Manguera de drenaje, tubería de conexión de refrigerante
11. Cable de conexión
12. Válvula de cierre
13. Campana de ventilador

(B) Tipo de conducto / techo



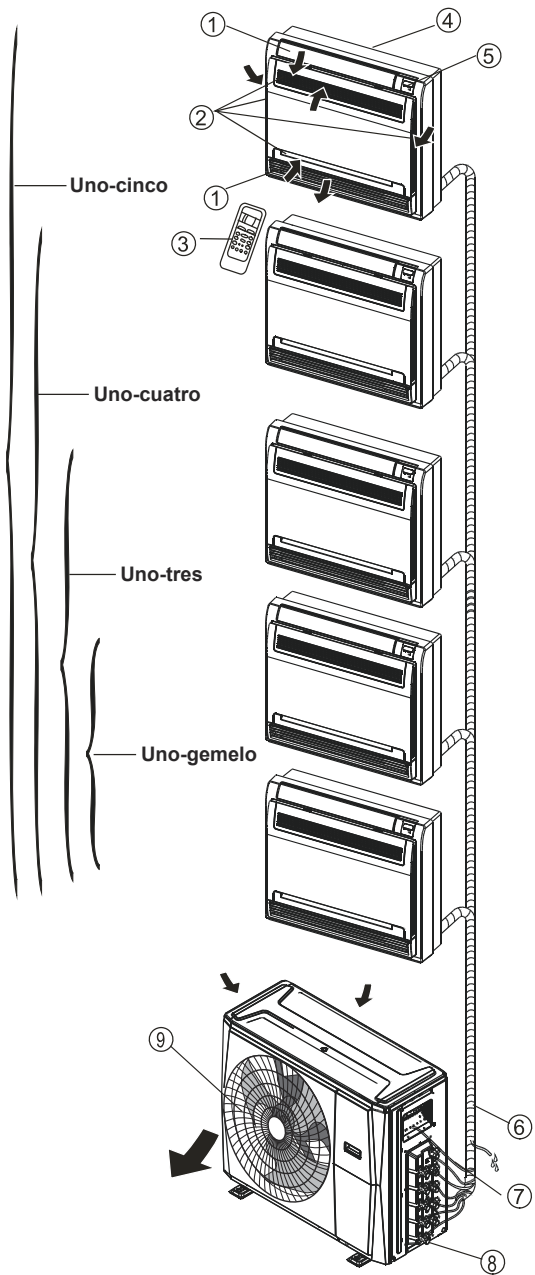
Unidad interior

1. Salida de aire
2. Entrada de aire
3. Filtro de aire
4. Gabinete de control eléctrico
5. Controlador de cable

Unidad exterior

6. Manguera de drenaje, tubería de conexión de refrigerante
7. Cable de conexión
8. Válvula de cierre
9. Campana de ventilador

(C) Tipo de piso y de pie(console)



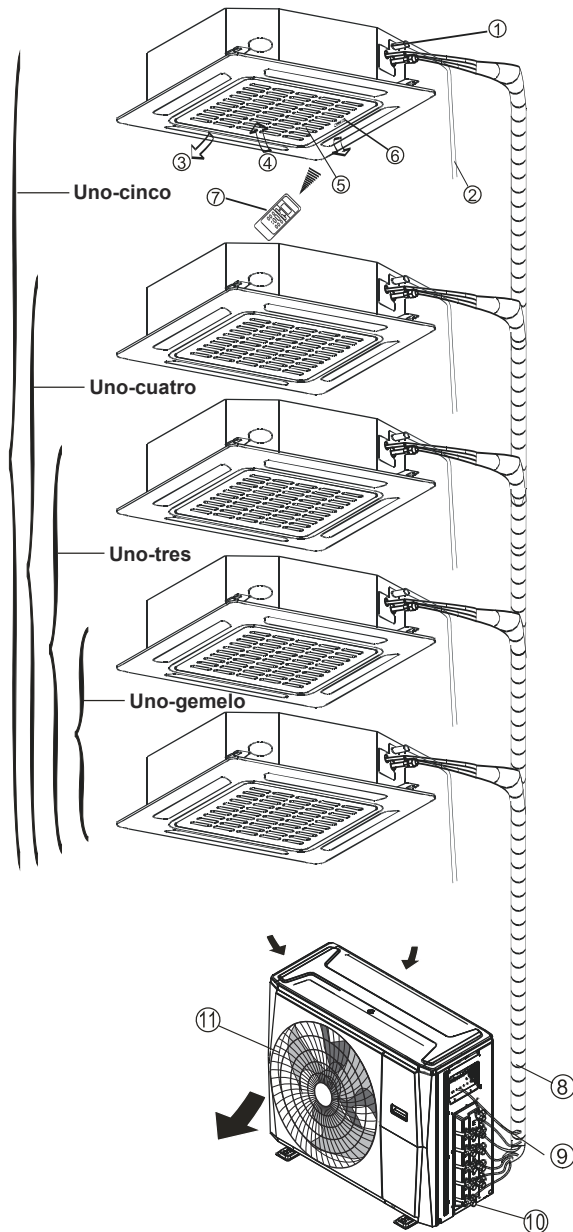
Unidad interior

- 1. Rejilla del flujo de aire (en salida de aire)
- 2. Entrada de aire (conteniendo un filtro de aire)
- 3. Controlador remoto
- 4. Parte de instalación
- 5. Pantalla

Unidad exterior

- 6. Manguera de drenaje, tubería de conexión de refrigerante
- 7. Cable de conexión
- 8. Válvula de cierre
- 9. Campana de ventilador

(D) Tipo de casete compacto de cuatro vías



Unidad interior

- 1. Bomba de drenaje (drene el agua de la unidad interior)
- 2. Manguera de drenaje
- 3. Salida de aire
- 4. Entrada de aire
- 5. Rejilla de entrada de aire
- 6. Pantalla
- 7. Controlador remoto

Unidad exterior

- 8. Tubería de conexión de refrigerante
- 9. Cable de conexión
- 10. Válvula de cierre
- 11. Campana de ventilador

NOTA: Para los aires acondicionados de tipo split múltiple, una unidad exterior se puede combinar con diferentes tipos de unidades interiores. Todas las figuras de este manual son solo para fines de demostración. Su aire acondicionado puede ser ligeramente diferente, si tiene una forma similar. Las siguientes páginas presentan varios tipos de unidades interiores que se pueden combinar con las unidades exteriores.

Condición de funcionamiento

Temperatura de operación

Cuando el aire acondicionado se usa fuera de los rangos de temperatura siguientes, ciertas funciones de protección de seguridad pueden activarse y hacer que la unidad se desactive.

	Modo COOL (REFRIGERACIÓN)	Modo HEAT (CALEFACCIÓN)	Modo DRY (DESHUMIDIFICACIÓN)
Temperatura ambiente	17°C - 32°C (62°F - 90°F)	0°C - 30°C (32°F - 86°F)	10°C - 32°C (50°F - 90°F)
Temperatura exterior	0°C - 50°C (32°F - 122°F)	-15°C - 24°C (5°F - 75°F)	0°C - 50°C (32°F - 122°F)
	-15°C - 50°C (5°F - 122°F) (Para modelos con sistemas de enfriamiento de baja temperatura)		0°C - 50°C (32°F - 122°F)
	0°C - 52°C (32°F - 126°F) (Para modelos especiales tropicales)		0°C - 52°C (32°F - 126°F) (Para modelos especiales tropicales)

PARA UNIDADES EXTERIORES CON CALENTADOR ELÉCTRICO AUXILIAR

Cuando la temperatura exterior es inferior a 0°C (32°F), recomendamos que mantenga la unidad enchufada en todo momento para garantizar un rendimiento continuo y uniforme.

NOTA: Humedad relativa de la habitación menor al 80%. Si el aire acondicionado opera en exceso en esta figura, la superficie del aire acondicionado puede atraer condensación. Configure la rejilla de flujo de aire vertical al ángulo máximo (verticalmente al piso) y configure el modo HIGH FAN (VENTILADOR ALTO).

Para optimizar aún más el rendimiento de la unidad, haga lo siguiente:

- Mantenga las puertas y ventanas cerradas.
- Limite el uso de energía utilizando las funciones de TIMER ON (TEMPORIZADOR ENCENDIDO) y TIMER OFF (TEMPORIZADOR APAGADO).
- No bloquee las entradas o salidas de aire.
- Inspeccione y limpie regularmente los filtros de aire.

Protección del aire acondicionado Protección del compresor

- El compresor no puede reiniciarse durante 3 minutos después de que se detiene.

Aire anti-frío (solo modelos de refrigeración y calefacción)

- La unidad está diseñada para no soplar aire frío en modo HEAT(CALEFACCIÓN), cuando el intercambiador de calor interior se encuentra en una de las siguientes tres situaciones y no se ha alcanzado la temperatura establecida.
 - A) Cuando el calentamiento acaba de comenzar.
 - B) Durante la descongelación.
 - C) Calefacción a baja temperatura.
- El ventilador interior o exterior deja de funcionar cuando se descongela (solo en los modelos de refrigeración y calefacción).

Descongelación (solo modelos de refrigeración y calefacción)

- Se puede generar escarcha en la unidad exterior durante un ciclo de calor cuando la temperatura exterior es baja y la humedad es alta, lo que resulta en una menor eficiencia de calefacción en el aire acondicionado.
- En estas condiciones, el aire acondicionado detendrá las operaciones de calefacción y comenzará a descongelar automáticamente.
- El tiempo para descongelar puede variar de 4 a 10 minutos, dependiendo de la temperatura exterior y la cantidad de acumulación de escarcha en la unidad exterior.

Auto-Reinicio (algunos modelos)

En caso del fallo de potencia, el sistema se detendrá automáticamente. Cuando vuelva la energía, la luz de operación en la unidad interior parpadeará. Para reiniciar la unidad, presione el botón **ON/OFF (ENCENDIDO/APAGADO)** en el mando a distancia. Si el sistema tiene una función de auto reinicio, la unidad se reiniciará usando las mismas configuraciones.

Bruma blanca que emerge de la unidad interior

- Se puede generar una bruma blanca debido a una gran diferencia de temperatura entre la entrada y la salida de aire en modo COOL(REFRIGERACIÓN) en lugares con alta humedad relativa.
- Se puede generar una neblina blanca debido a la humedad creada en el proceso de descongelación cuando el aire acondicionado se reinicia en modo HEAT(CALEFACCIÓN) después de la descongelación.

Ruido proveniente del aire acondicionado

- Es posible que escuche un silbido bajo cuando el compresor esté funcionando o simplemente haya dejado de funcionar. Este sonido es el sonido del refrigerante que fluye o se detiene.
- También es posible que escuche un sonido de "chirrido" cuando el compresor esté funcionando o simplemente haya dejado de funcionar. Esto es causado por la expansión del calor y la contracción fría de las piezas de plástico en la unidad cuando la temperatura está cambiando.
- Se puede escuchar un ruido debido a que la rejilla se restaura a su posición original cuando se enciende por primera vez.

El polvo que sale de la unidad interior.

Esto sucede cuando el aire acondicionado no se ha utilizado durante mucho tiempo o durante su primer uso.

Olor que emite la unidad interior.

Esto es causado por la unidad interior que emite olores impregnados de materiales de construcción, muebles o humo.

El aire acondicionado cambia al modo **FAN ONLY(SOLO VENTILADOR)** del modo **COOL(REFRIGERACIÓN)** o **HEAT(CALEFACCIÓN)** (solo para los modelos de refrigeración y calefacción).

Cuando la temperatura interior alcanza el ajuste de temperatura establecido, el compresor se detendrá automáticamente y el aire acondicionado cambiará al modo **FAN ONLY(SOLO VENTILADOR)**. El compresor arrancará nuevamente cuando la temperatura interior aumente en modo **COOL(REFRIGERACIÓN)** o disminuya en modo **HEAT(CALEFACCIÓN)** al punto de ajuste.

Se pueden formar gotas de agua en la superficie de la unidad interior cuando el enfriamiento ocurre en una humedad relativamente alta (con una densidad superior al 80%). Ajuste la rejilla horizontal a la posición de salida de aire máxima y seleccione alta velocidad del ventilador.

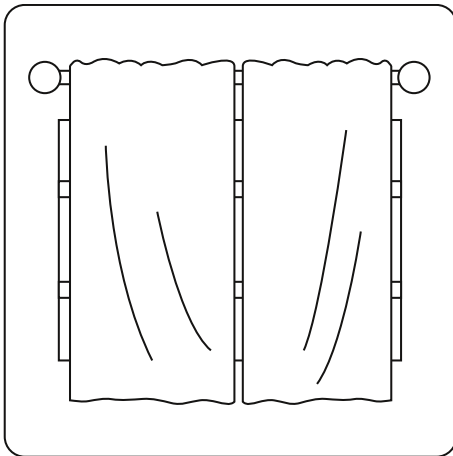
Modo de calefacción (solo para modelos de refrigeración y calefacción)

El aire acondicionado extrae calor de la unidad exterior y lo libera a través de la unidad interior durante el calentamiento. Cuando cae la temperatura exterior, el calor extraído por el aire acondicionado disminuye en consecuencia. Al mismo tiempo, la carga de calor del aire acondicionado aumenta debido a una mayor diferencia entre la temperatura interior y exterior. Si no se puede lograr una temperatura cómoda solo con el aire acondicionado, se recomienda que utilice un dispositivo de calefacción adicional.

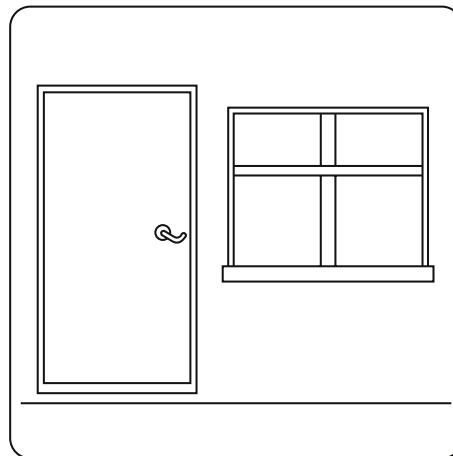
Los rayos o el teléfono inalámbrico de un automóvil que funcionan cerca pueden causar un mal funcionamiento de la unidad. Desconecte la unidad de su fuente de alimentación y luego vuelva a conectarla con la fuente de alimentación nuevamente. Presione el botón **ON / OFF (ENCENDIDO/APAGADO)** en el mando a distancia para reiniciar las operaciones.

Consejos para ahorro de energía

- **NO** ajuste la unidad a niveles de temperatura excesivos.
- Mientras se enfría, cierre las cortinas para evitar la luz solar directa.
- Las puertas y ventanas deben mantenerse cerradas para mantener el aire fresco o cálido en la habitación.
- **NO** coloque objetos cerca de la entrada y salida de aire de la unidad. Esto reducirá la eficiencia de la unidad.
- Configure un temporizador y use el modo **SLEEP/ECONOMY (SUEÑO / ECONOMÍA)** incorporado, si corresponde.
- Si no planea usar la unidad por un período prolongado, retire las baterías del mando a distancia.
- Limpie el filtro de aire cada dos semanas. Un filtro sucio puede reducir la eficiencia de enfriamiento o calentamiento.
- Ajuste las rejillas correctamente y evite el flujo de aire directo.



Cerrar las cortinas durante el calentamiento también ayuda a mantener el calor



Las puertas y ventanas deben mantenerse cerradas.

Operaciones manuales y mantenimiento

Selección de modo de operación

Mientras dos o más unidades interiores están funcionando simultáneamente, asegúrese de que los modos no entren en conflicto entre sí. El modo de calor tiene prioridad sobre todos los demás modos. Si la unidad comenzó inicialmente a funcionar en modo HEAT(CALEFACCIÓN), las otras unidades solo pueden funcionar en modo HEAT(CALEFACCIÓN). Por ejemplo: Si la unidad iniciada inicialmente funciona en modo COOL(REFRIGERACIÓN) (o FAN(VENTILADOR)), las otras unidades pueden funcionar en cualquier modo excepto HEAT(CALEFACCIÓN). Si una de las unidades selecciona el modo HEAT(CALEFACCIÓN), las otras unidades operativas detendrán la operación y mostrarán "-" (solo para unidades con ventanilla de pantalla) o la luz indicadora de operación y automática parpadeará rápidamente, la luz indicadora de descongelación se apagará y la luz indicadora del temporizador permanecerá encendida (para unidades sin una ventana de visualización). Alternativamente, la luz indicadora de descongelación y alarma (si corresponde) se iluminará, o la luz indicadora de operación parpadeará rápidamente, y la luz indicadora del temporizador se apagará (para el tipo de piso y de pie).

Mantenimiento

Si planea dejar la unidad inactiva durante mucho tiempo, realice las siguientes tareas:

1. Limpie la unidad interior y el filtro de aire
2. Seleccione el modo FAN ONLY(SOLO VENTILADOR) y deje que el ventilador interior funcione durante un tiempo para secar el interior de la unidad.
3. Desconecte la fuente de alimentación y retire la batería del mando a distancia.
4. Verifique los componentes de la unidad exterior periódicamente. Póngase en contacto con un distribuidor local o un centro de servicio al cliente si la unidad requiere servicio.

NOTA: Antes de limpiar el aire acondicionado, asegúrese de apagar la unidad y desconectar el enchufe de la fuente de alimentación.

Operación óptima

Para lograr un rendimiento óptimo, tenga en cuenta lo siguiente:

- Ajuste la dirección del flujo de aire para que no sople directamente sobre las personas.
- Ajuste la temperatura para lograr el mayor nivel posible de confort. No ajuste la unidad a niveles de temperatura excesivos.
- Cierre puertas y ventanas en modo COOL(REFRIGERACIÓN) o HEAT(CALEFACCIÓN).
- Use el botón TIMER ON (TEMPORARIZADOR ENCENDIDO) del mando a distancia para seleccionar la hora a la que desea encender su aire acondicionado.
- No coloque ningún objeto cerca de la entrada o salida de aire, ya que la eficiencia del aire acondicionado puede verse reducida y el aire acondicionado puede dejar de funcionar.
- Limpie el filtro de aire periódicamente, de lo contrario, el enfriamiento o el calentamiento pueden reducirse.
- No opere la unidad con rejillas horizontales en posición cerrada.

Sugerencia:

Para las unidades que cuentan con un calentador eléctrico, cuando la temperatura ambiente exterior es inferior a 0 °C (32 °F), se recomienda encarecidamente que mantenga la máquina enchufada para garantizar un funcionamiento sin problemas.

Cuando el aire acondicionado se va a usar nuevamente:

- Use un paño seco para limpiar el polvo acumulado en la rejilla de entrada de aire posterior para evitar que el polvo se disperse de la unidad interior.
- Verifique que el cableado no esté roto o desconectado.
- Verifique que el filtro de aire esté instalado.
- Compruebe si la salida o entrada de aire está bloqueada después de que el aire acondicionado no se haya utilizado durante mucho tiempo.

Resolución de problemas

Precauciones de seguridad

Si ocurre cualquiera de las siguientes condiciones, ¡apague su unidad inmediatamente!

- El cable de alimentación está dañado o está anormalmente caliente.
- Huele un olor de quemadura
- La unidad emite sonidos fuertes o anormales.
- Se funde el fusible o el interruptor automático se dispara con frecuencia
- El agua u otros objetos caen dentro o fuera de la unidad

¡NO INTENTE ARREGLAR ESTO USTED MISMO! ¡CONTACTE UN SERVICIO AUTORIZADO INMEDIATAMENTE!

Problemas Comunes

Los problemas siguientes no son de mal funcionamiento y en la mayoría de las situaciones no requerirán reparaciones.

Problema	Posibles Causas
La unidad no se enciende al presionar el botón ON/OFF (ENCENDIDO/APAGADO)	La unidad tiene una función de protección de 3 minutos que evita que se sobrecargue. La unidad no se puede reiniciar dentro de tres minutos posteriores al apagado.
	Modelos de refrigeración y calefacción: Si la luz de funcionamiento y los indicadores PRE-DEF (Precalentamiento/Descongelación) están encendidos, la temperatura exterior es demasiado fría y el viento anti-frío de la unidad se activa para descongelar la unidad.
	Modelos de solo refrigeración: Si el indicador "Solo Ventilador" está encendido, la temperatura exterior es demasiado baja, con lo que se activa la función de protección anti congelamiento para descongelar la unidad.
La unidad cambia del modo COOL(REFRIGERACIÓN) al modo FAN(VENTILADOR)	La unidad puede cambiar su configuración para evitar la formación de escarcha en la unidad. Una vez aumenta la temperatura, la unidad comenzará a funcionar nuevamente.
	La temperatura establecida ha sido alcanzada, entonces la unidad apagará el compresor. La unidad volverá a funcionar cuando la temperatura vuelva a fluctuar.
La unidad interior emite una niebla blanca	En regiones húmedas, una gran diferencia de temperatura entre el aire de la habitación y el aire acondicionado puede ocasionar niebla blanca.
Tanto la unidad exterior como la interior emiten niebla blanca	Cuando la unidad se reinicia en modo HEAT (CALEFACCIÓN) luego de descongelar, niebla blanca puede aparecer debido a la humedad generada del proceso de descongelamiento.

Problema	Posibles Causas
La unidad interior hace ruido	Se escucha un sonido chirriante cuando el sistema está OFF (APAGADO) o en modo COOL (REFRIGERACIÓN). El ruido también es escuchado cuando la bomba de drenaje (opcional) está en operación.
	Puede producirse un sonido de chirrido después de hacer funcionar la unidad en modo HEAT (CALEFACCIÓN) debido a la expansión y contracción de las piezas de plástico de la unidad.
Tanto la unidad interior como la unidad exterior hacen ruidos	Puede producirse un silbido bajo durante la operación. Esto es normal y es causado por el gas refrigerante que fluye a través de las unidades interior y exterior.
	Es posible que se escuche un silbido bajo cuando el sistema se inicia, acaba de detenerse o se está descongelando. Este ruido es normal y está causado por el gas refrigerante deteniéndose o cambiando de dirección.
La unidad exterior hace ruidos	La unidad emitirá diferentes sonidos según su modo de funcionamiento actual.
El polvo emana desde la unidad interior o exterior	La unidad puede acumular polvo durante períodos prolongados de inactividad, que se emitirán cuando se encienda la unidad. Esto se puede mitigar, cubriendo la unidad durante largos períodos de inactividad.
La unidad emite un mal olor	La unidad puede absorber los olores del ambiente (como muebles, cocina, cigarrillos, etc.) que emanarán durante las operaciones.
	Los filtros de la unidad están mohosos y deben limpiarse.
El ventilador de la unidad exterior no funciona	Durante el funcionamiento, la velocidad del ventilador se controla para optimizar el funcionamiento del producto.

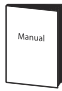


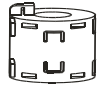

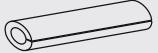
Consejos para la resolución de problemas

Cuando ocurran problemas, verifique los siguientes puntos antes de contactar a la compañía de reparación.

Problema	Posibles Causas	Solución
La unidad no está funcionando	Fallo de energía	Espera a que se restablezca la energía
	El interruptor de energía está apagado	Encienda la alimentación
	El fusible está quemado.	Reemplace el fusible
	Las baterías del mando a distancia están agotadas	Reemplace las baterías del mando a distancia
	La protección de 3 minutos de la unidad se ha activado	Espera tres minutos después de reiniciar la unidad
Bajo rendimiento de enfriamiento	El ajuste de temperatura puede ser más alto que la temperatura ambiente	Baje la temperatura
	El intercambiador de calor en la unidad interior o exterior está sucio.	Limpie el intercambiador de calor afectado
	El filtro de aire está sucio	Retire el filtro y límpielo según las instrucciones
	La entrada o salida de aire de cualquiera de las unidades está bloqueada	Apague la unidad, elimine la obstrucción y vuelva a encenderla
	Las ventanas y puertas están abiertas	Asegúrese de que todas las puertas y ventanas estén cerradas cuando se opera la unidad
	Excesivo calor por luz solar	Cierre las ventanas y las cortinas durante períodos de mucho calor o luz solar intensa.
	Nivel de refrigerante bajo debido a fugas o uso a largo plazo	Compruebe si hay fugas, vuelva a sellar si es necesario y complete el refrigerante
La unidad arranca y se para frecuentemente.	Hay demasiado o muy poco refrigerante en el sistema.	Compruebe si hay fugas y recargue el sistema con refrigerante.
	Hay aire, gas incompresible o material extraño en el sistema de refrigeración.	Evacúe y recargue el sistema con refrigerante
	El circuito del sistema está bloqueado	Determine cuál circuito está bloqueado y reemplace la pieza con mal funcionamiento del equipo
	El compresor está roto	Reemplace el compresor
	El voltaje es demasiado alto o demasiado bajo	Instale un manóstato para regular el voltaje.
Bajo rendimiento de calefacción	La temperatura exterior es inferior a 7 °C (44,5 °F)	Compruebe si hay fugas y recargue el sistema con refrigerante.
	Entra aire frío a través de puertas y ventanas.	Asegúrese de que todas las puertas y ventanas estén cerradas durante el uso
	Nivel de refrigerante bajo debido a fugas o uso a largo plazo	Compruebe si hay fugas, vuelva a sellar si es necesario y complete el refrigerante

Accesorios

El sistema de aire acondicionado viene con los accesorios siguientes. Use todas las partes y los accesorios de instalación para instalar el aire acondicionado. Una instalación inadecuada puede provocar fugas de agua, descargas eléctricas o causar fallos en el equipo. Los artículos que no están incluidos con el aire acondicionado se deben comprar por separado.

Nombre de los accesorios	Cantidad (pieza)	Forma	Nombre de los accesorios	Cantidad (pieza)	Forma
Manual	2~4		Conjunta de drenaje (algunos modelos)	1	
Placa de instalación (algunos modelos)	1		Anillo de sellado (algunos modelos)	1	
Vaina de expansión de plástico	5-8 (dependiendo de los modelos)		Anillo magnético (Conéctelo en el cable conector entre la unidad interior y la unidad exterior luego de la instalación.) (algunos modelos)	Varía según el modelo.	
Tornillo autorroscante A	5-8 (dependiendo de los modelos)				
Conector de transferencia (incluido con la unidad interior o exterior, según los modelos) NOTA: El tamaño de la tubería puede diferir de un aparato a otro. Para cumplir con los requisitos de diferentes tamaños de tubería, a veces las conexiones de tubería necesitan un conector de transferencia instalado en la unidad exterior.	Parte opcional (una pieza/una unidad interior)		Anillo de goma de protección del cable (Si la abrazadera del cable no se puede sujetar a un cable pequeño, use el anillo de goma de protección del cable [suministrado con los accesorios] para envolver el cable. Luego repárelo en el lugar con una abrazadera de cable.) (algunos modelos)	1	
	Parte opcional (1-5 piezas para unidad exterior, según modelos)				

Accesorios

Accesorios opcionales

- Hay dos tipos de mando a distancia: cableados e inalámbricos. Seleccione el mando a distancia basado en la preferencia del cliente y los requerimientos, e instale en un lugar apropiado. Refiérase al catálogo y a la literatura técnica para la guía en seleccionar un mando a distancia acorde.

Nombre	Forma	Cantidad (pieza)
Conjunto de tubería de conexión	Lado del líquido	ø6,35 (1/4 pulg.)
		ø9,52 (3/8 pulg.)
	Lado del gas	ø9,52 (3/8 pulg.)
		ø12,7 (1/2 pulg.)
		ø16 (5/8 pulg.)

Partes que debe comprar por separado. Consulte con el vendedor sobre el tamaño apropiado de la tubería para la unidad que compró.

Resumen de instalación

ORDEN DE INSTALACIÓN

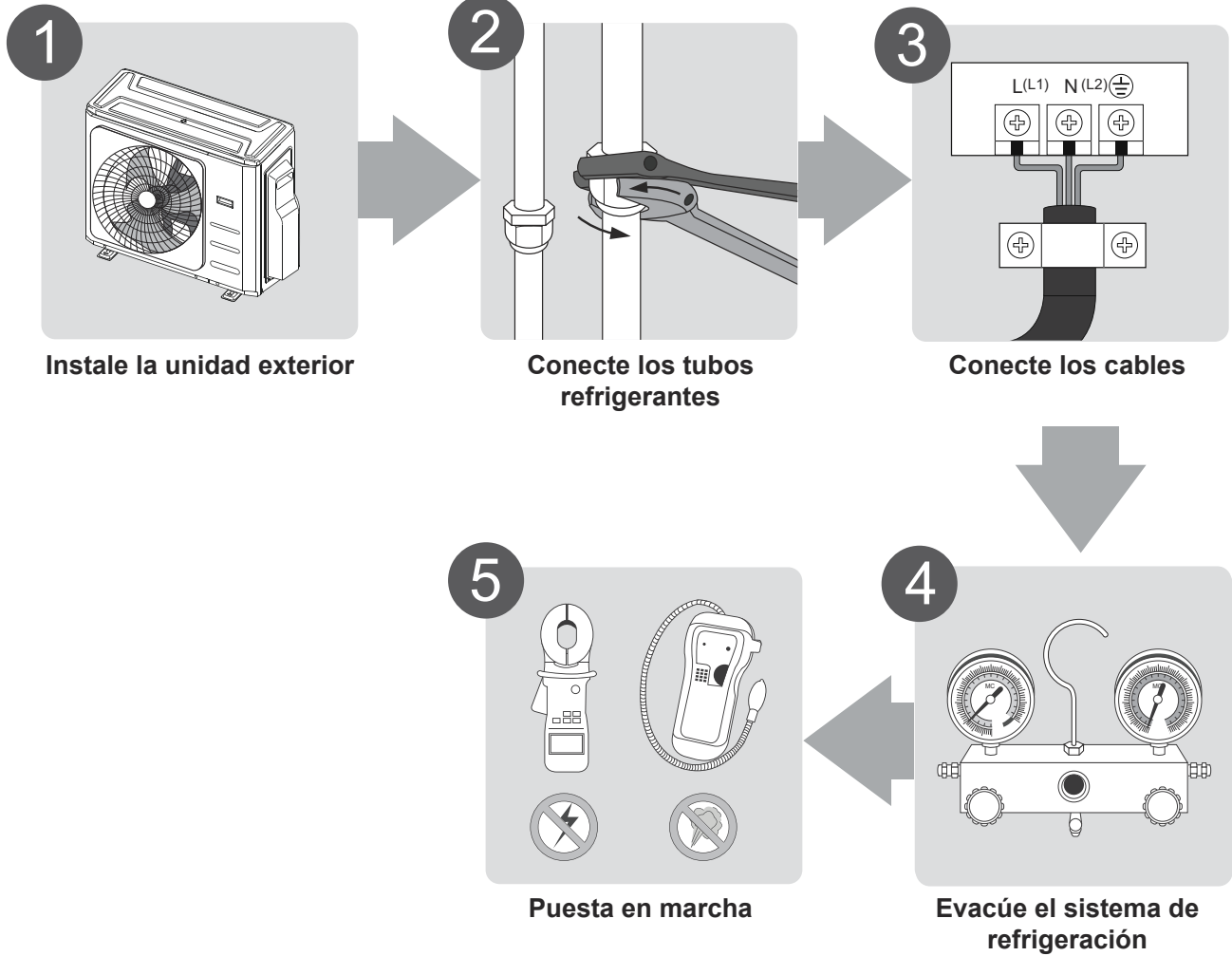


Diagrama de instalación

Diagrama de instalación

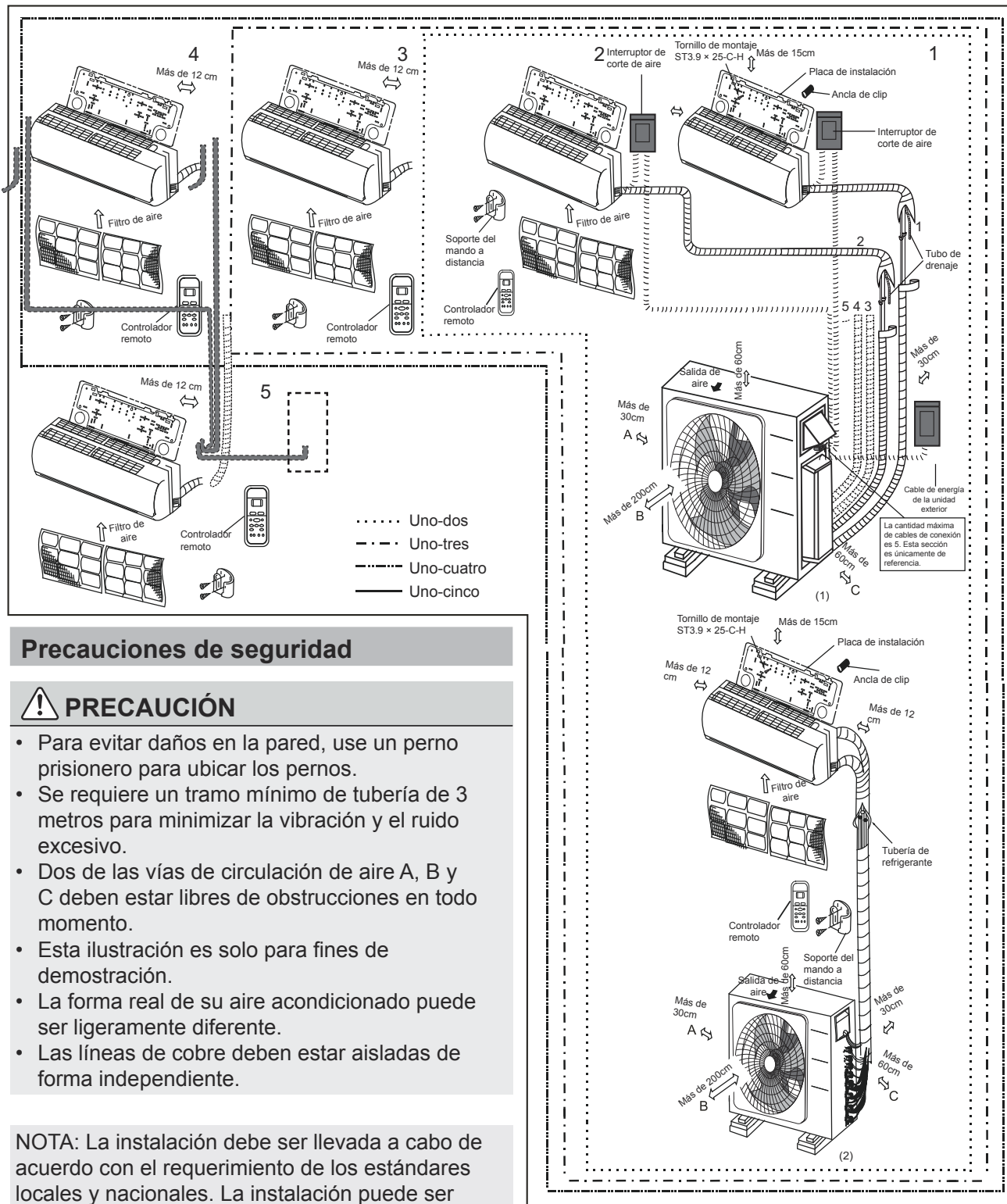


Diagrama de
Instalación

Precauciones de seguridad

⚠ PRECAUCIÓN

- Para evitar daños en la pared, use un perno prisionero para ubicar los pernos.
- Se requiere un tramo mínimo de tubería de 3 metros para minimizar la vibración y el ruido excesivo.
- Dos de las vías de circulación de aire A, B y C deben estar libres de obstrucciones en todo momento.
- Esta ilustración es solo para fines de demostración.
- La forma real de su aire acondicionado puede ser ligeramente diferente.
- Las líneas de cobre deben estar aisladas de forma independiente.

NOTA: La instalación debe ser llevada a cabo de acuerdo con el requerimiento de los estándares locales y nacionales. La instalación puede ser ligeramente diferente en diferentes áreas.

Especificaciones

Número de unidades que se pueden usar juntas	Unidades conectadas	1-5 unidades
Frecuencia de parada / inicio del compresor	Tiempo de parada	3 minutos o más
Voltaje de la fuente de alimentación	Fluctuación de voltaje	Dentro del $\pm 10\%$ del voltaje nominal
	Caída de voltaje durante el encendido	Dentro del $\pm 15\%$ del voltaje nominal
	Desequilibrio de intervalos	Dentro del $\pm 3\%$ del voltaje nominal

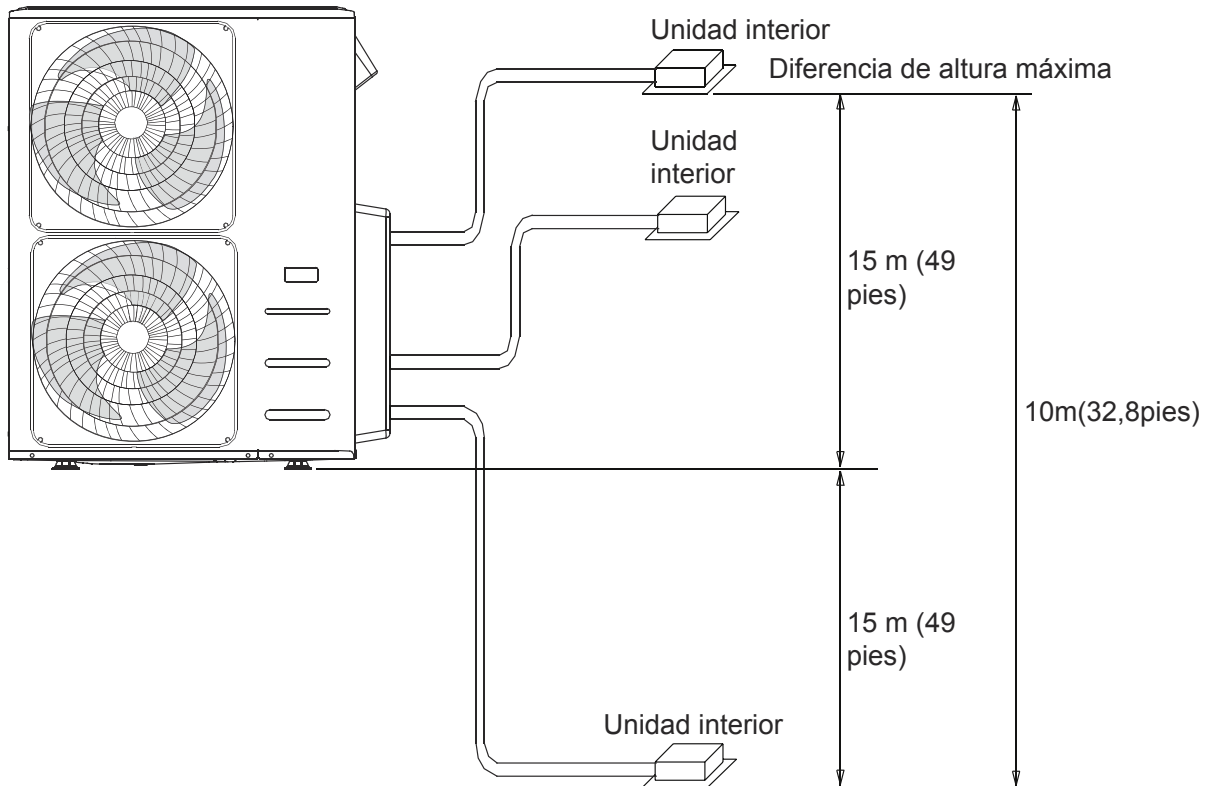
Unidad: m / pie.

	1 conduce 2	1 conduce 3	1 conduce 4	1 conduce 5
Máximo largo para todas las habitaciones	40/131	60/197	80/262	80/262
Máximo largo para una unidad interior	25/82	30/98	35/115	35/115
Altura máxima diferente entre la unidad interior y exterior	15/49	15/49	15/49	15/49
Altura máxima diferente entre unidades interiores	10/33	10/33	10/33	10/33

NOTA: Para las unidades que adopten conectores rápidos, no se pueden conectar más de dos tubos y la longitud máxima de cada tubo es de 7,5 metros.

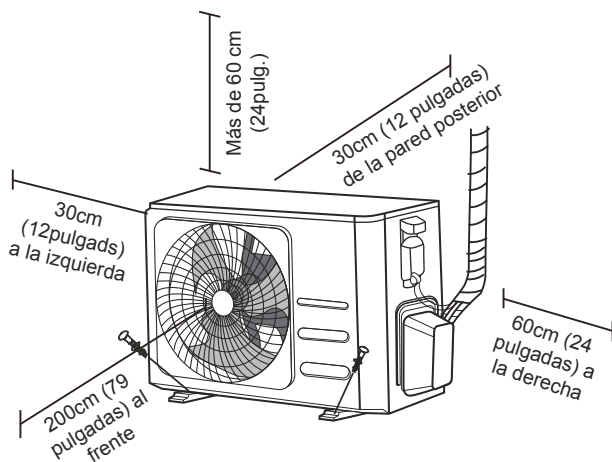
Al instalar varias unidades interiores con una sola unidad exterior, asegúrese de que la longitud del tubo de refrigerante y la altura de caída entre las unidades interior y exterior cumplan los requisitos ilustrados en el siguiente diagrama:

Unidad exterior



Instalación de la unidad exterior

Instale la unidad siguiendo los códigos y regulaciones locales, puede haber variantes entre las diferentes regiones.



Instrucciones de Instalación – Unidad exterior

Paso 1: Seleccione el lugar de instalación

Antes de instalar la unidad exterior, debe elegir una ubicación adecuada. Los siguientes estándares le ayudarán a elegir una ubicación adecuada para la unidad.

Las ubicaciones de instalación adecuadas cumplen con los siguientes estándares:

- Cumple con todos los requisitos espaciales que se muestran en los Requisitos de Espacio de Instalación anteriores.
- Buena circulación de aire y ventilación
- Firme y sólido: la ubicación puede soportar la unidad y no vibrará
- El ruido de la unidad no molestará a los demás.
- Protegido de períodos prolongados de luz solar directa o lluvia
- Donde se anticipan nevadas, eleve la unidad por encima de la plataforma de base para evitar la acumulación de hielo y daños en la bobina. Monte la unidad por encima del promedio de nieve acumulada en el área. La altura mínima debe ser 18 pulgadas.

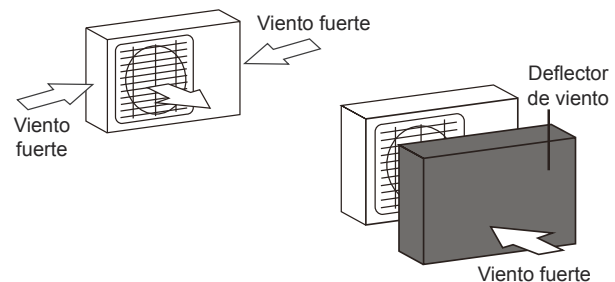
NO instale la unidad en los siguientes lugares:

- ⊘ Cerca del obstáculo que bloqueará las entradas y salidas de aire.
- ⊘ Cerca de una calle pública, áreas concurridas o donde el ruido de la unidad moleste a otros
- ⊘ Cerca de animales o plantas que se verán perjudicados por la descarga de aire caliente
- ⊘ Cerca de cualquier fuente de gas combustible
- ⊘ En un lugar expuesto a grandes cantidades de polvo
- ⊘ En un lugar expuesto a cantidades excesivas de aire salado

CONSIDERACIONES ESPECIALES POR CLIMA EXTREMO

Si la unidad está expuesta al viento fuerte:

Instale la unidad de forma que el ventilador de aire saliente forme un ángulo de 90° con respecto a la dirección del viento. Si es necesario, construya una barrera frente a la unidad para protegerla de los vientos extremadamente fuertes. Véase en las figuras abajo.



Si la unidad es frecuentemente expuesta a nieve o lluvia:

Construya un techo encima de la unidad para protegerla de la lluvia o la nieve. Tenga cuidado de no obstruir el flujo de aire alrededor de la unidad.

Si la unidad se expone con frecuencia al aire salado (al lado del mar):

Use la unidad exterior que esté especialmente diseñada para resistir la corrosión.

Paso 2: Instale junta de drenaje (Solo unidad de bomba de calor)

Antes de atornillar la unidad exterior al lugar adecuado, se debe instalar la junta de drenaje en la parte inferior de la unidad. Tenga en cuenta que hay dos tipos diferentes de juntas de drenaje según el tipo de unidad exterior.

Si la junta de drenaje viene con un sello de goma (véase en la Fig. A), haga lo siguiente:

1. Coloque el sello de goma en el extremo de la junta de drenaje que se conectará a la unidad exterior.
2. Inserte la junta de drenaje en el orificio de la bandeja de la base de la unidad.
3. Gire la junta de drenaje 90° hasta que encaje en el lugar frente a la parte frontal de la unidad.
4. Conecte una extensión de la manguera de drenaje (no incluida) a la junta de drenaje para redirigir el agua de la unidad durante el modo de calefacción.

Si la junta de drenaje no viene con un sello de goma (vea Fig. B), haga lo siguiente:

1. Inserte la junta de drenaje en el orificio de la bandeja de la base de la unidad. La junta de drenaje hará clic en el lugar adecuado.
2. Conecte una extensión de la manguera de drenaje (no incluida) a la junta de drenaje para redirigir el agua de la unidad durante el modo de calefacción.

Paso 3: Ancle la unidad exterior

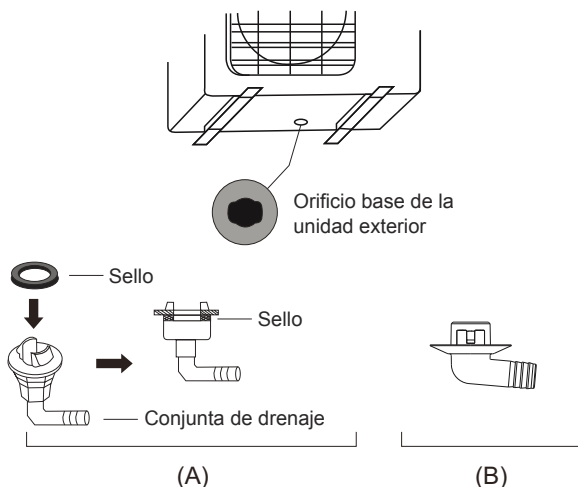
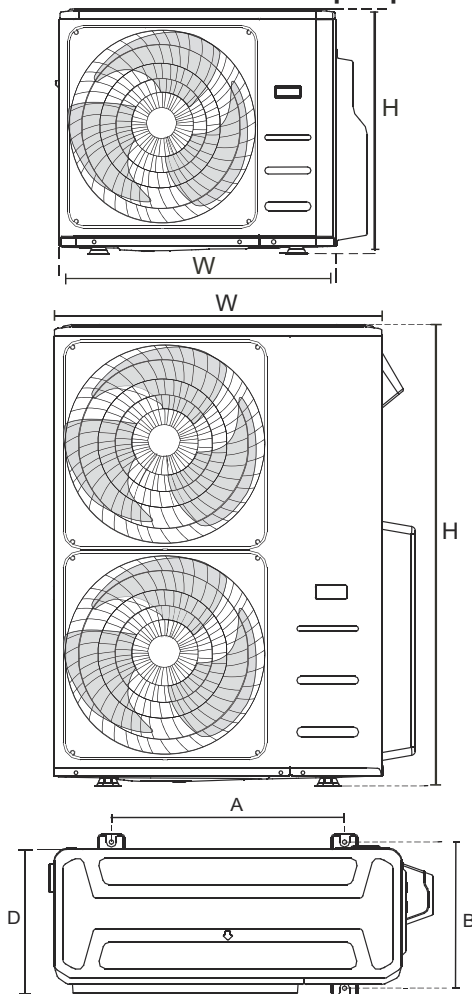
La unidad exterior puede ser ajustada sobre el terreno o sobre un apoyo en la pared con tornillos (M10). Prepare la base de instalación de la unidad de acuerdo con las dimensiones siguientes.

DIMENSIONES DE MONTAJE DE LA UNIDAD

Esta es una lista de diferentes tamaños de unidades exteriores y la distancia entre sus pies de montaje. Prepare la base de instalación de la unidad de acuerdo con las dimensiones siguientes.

Tipos de unidad exterior y especificaciones

Unidad exterior de tipo split



! EN CLIMAS FRÍOS

En climas fríos, asegúrese de que la manguera de drenaje esté lo más vertical posible para garantizar un drenaje rápido del agua. Si el agua se drena muy lentamente, puede congelarse en la manguera e inundar la unidad.

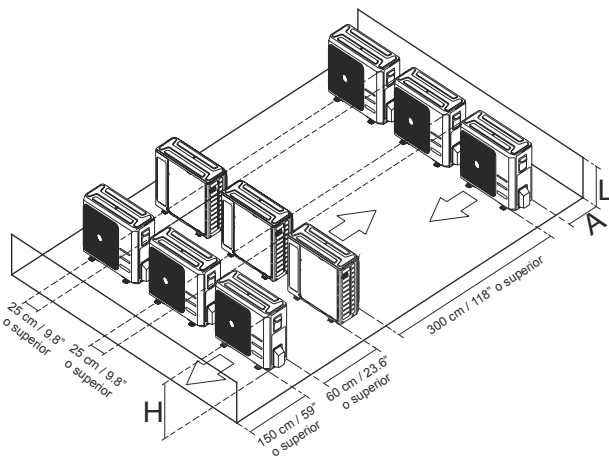
(Unidad: mm/pulgada)

Dimensiones de la unidad de exterior W x H x D	Dimensiones de montaje	
	Distancia A	Distancia B
760x590x285 (29,9x23,2x11,2)	530(20,85)	290(11,4)
810x558x310 (31,9x22x12,2)	549(21,6)	325(12,8)
845x700x320 (33,27x27,5x12,6)	560(22)	335(13,2)
900x860x315 (35,4x33,85x12,4)	590(23,2)	333(13,1)
945x810x395 (37,2x31,9x15,55)	640(25,2)	405(15,95)
990x965x345 (38,98x38x13,58)	624(24,58)	366(14,4)
938x1369x392 (36,93x53,9x15,43)	634(24,96)	404(15,9)
900x1170x350 (35,4x46x13,8)	590(23,2)	378(14,88)
800x554x333 (31,5x21,8x13,1)	514(20,24)	340(13,39)
845x702x363 (33,27x27,6x14,3)	540(21,26)	350(13,8)
946x810x420 (37,2x31,9x16,53)	673(26,5)	403(15,87)
946x810x410 (37,2x31,9x16,14)	673(26,5)	403(15,87)
952x1333x410 (37,5x52,5x16,14)	634(24,96)	404(15,9)
952x1333x415 (37,5x52,5x16,14)	634(24,96)	404(15,9)
890x673x342 (35,0x 26,5x13,5)	663(26,1)	354(13,9)

Filas de instalación en series

Las relaciones entre H, A y L son las siguientes.

	L	A
L ≤ H	L ≤ 1/2H	25 cm / 9.8" o superior
	1/2H < L ≤ H	30 cm / 11.8" o superior
L > H	No pueden instalarse	



Notas sobre el taladro en la pared

Debe perforar un agujero en la pared para la tubería de refrigerante y el cable de señal que conectará las unidades interior y exterior.

1. Determine la ubicación de la agujero del muro con base en la ubicación de la unidad exterior.
2. Con un taladro central de 65 mm (2,5"), perforo un agujero en la pared.

NOTA: Al taladrar el agujero de pared, asegúrese de evitar cables, tuberías y otros componentes sensibles.

3. Coloque el manguito protector de pared en el agujero. Eso protege los bordes del agujero y ayuda a sellarlo cuando termine el proceso de instalación.

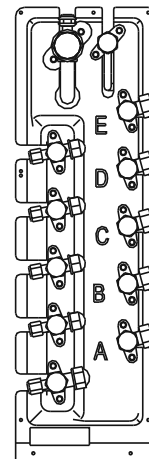
Cuando seleccione una unidad interior de 24K

La unidad interior de 24K solo se puede conectar con un sistema A. Si hay dos unidades interiores de 24K, se pueden conectar con los sistemas A y B.

Tamaño de tubería conectiva de un sistema A y B

(unidad: pulgada)

Capacidad de unidad interior (Btu/h)	LÍQUIDO	GAS
7K/9K/12K	1/4	3/8
12K/18K	1/4	1/2
24K	3/8	5/8



Instalación de la unidad exterior

Conexión de tubería de refrigerante

NOTA: Para modelos de conexión rápida, consulte el manual de la máquina interno para conocer el método de instalación de la tubería de conexión. El manual de la máquina externa no repite las instrucciones.

Al conectar la tubería de refrigerante, **no** permita que sustancias o gases que no sean el refrigerante especificado ingresen a la unidad. La presencia de otros gases o sustancias disminuye la capacidad de la unidad y puede causar una presión anormalmente alta en el ciclo de refrigeración. Esto puede ocasionar una explosión y daños.

Instrucciones de conexión – Tubería de refrigerante

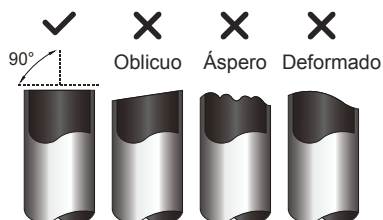
! PRECAUCIÓN

- La tubería de ramificación debe ser instalada horizontalmente. Un otro ángulo de más de 10° puede ocasionar fallo.
- **NO** instale el tubo de conexión hasta que se hayan instalado las unidades interiores y exteriores.
- Aísle las tuberías de gas y líquido para evitar fugas de agua.

Paso 1: Corte los tubos

Cuando prepare las tuberías de refrigerante, tome cuidado extra al cortar y abocardarlo correctamente. Esto asegurará la máxima eficiencia de operación y minimiza la necesidad de mantenimiento futura.

1. Mida la distancia entre la unidad interior y exterior.
2. Use un cortatubos, corte el tubo un poco más largo que la medida tomada.
3. Asegúrese de cortar la tubería en un ángulo perfecto de 90°.



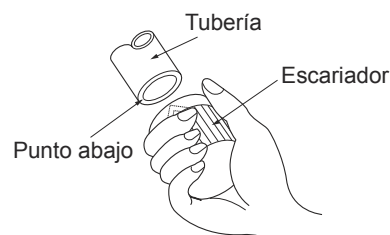
NO DEFORME EL TUBO MIENTRAS LO CORTA

Tenga mucho cuidado de no dañar, abollar ni deformar la tubería mientras la corta. Esto reducirá drásticamente la eficiencia de calentamiento de la unidad.

Paso 2: Elimine las rebabas.

Las rebabas pueden afectar el sello hermético de la conexión de la tubería de refrigerante. Esto debe ser completamente removido.

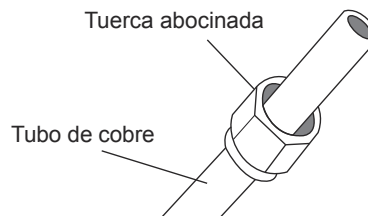
1. Mantenga el tubo en un ángulo inferior para prevenir quemaduras por caídas dentro de la cañería.
2. Con una fresa o herramienta de desbarbado, elimine todas las rebabas de la sección de corte de la tubería.



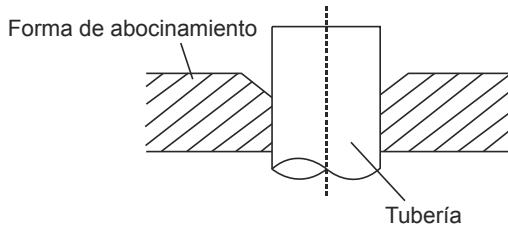
Paso 3: Terminales de tubo acampanado

La quema adecuada es esencial para lograr un sello hermético.

1. Después de quitar las rebabas de la tubería cortada, selle los extremos con cinta de PVC para evitar que entren materiales extraños en la tubería.
2. Aísle la tubería con material aislante.
3. Instale tuercas abocardadas en ambos extremos de la tubería. Asegúrese que están apuntando en la dirección correcta, porque no puedes ponerla o cambiar de dirección luego de abocardarlos.



4. Remueva la cinta de PVC desde la punta cuando haga trabajo de abocardar.
5. Use la abrazadera abocardada sobre la forma de la punta de la tubería. El final de la tubería debe extenderse más allá de la forma abocardada.



6. Ponga la herramienta abocardada en la forma.
7. Gire el mango de la herramienta de abocardado en el sentido horario hasta que la tubería esté completamente abocinada. Ensanche la tubería de acuerdo con las dimensiones.

EXTENSIÓN DE TUBERÍA MÁS ALLÁ DE LA FORMA ABOCARDADA

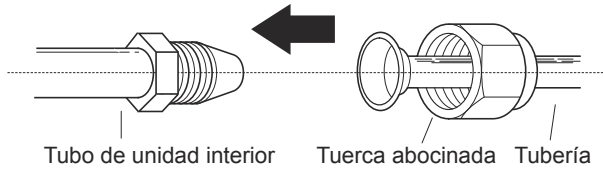
Tamaño de la tubería	Torque de apriete	Dimensión abocardada (A) Unidad: mm(pulgada)		Forma de abocinamiento
		Mín.	Máx.	
Ø 6,4	18-20 N.m (183-204 kgf.cm)	8,4/0,33	8,7/0,34	
Ø 9,5	25-26 N.m (255-265 kgf.cm)	13,2/0,52	13,5/0,53	
Ø 12,7	35-36 N.m (357-367 kgf.cm)	16,2/0,64	16,5/0,65	
Ø 15,9	45-47 N.m (459-480 kgf.cm)	19,2/0,76	19,7/0,78	
Ø 19,1	65-67 N.m (663-683 kgf.cm)	23,2/0,91	23,7/0,93	
Ø 22	75-85 N.m (765-867 kgf.cm)	26,4/1,04	26,9/1,06	

8. Retire la herramienta y la forma de destello, y luego verifique que no haya grietas en el extremo de la tubería.

Paso 4: Conecte las tuberías

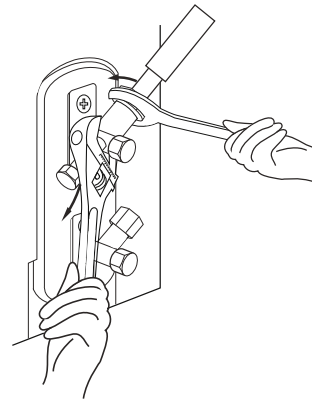
Conecte la tubería de cobre a la unidad interior primero, luego conéctela a la unidad exterior. Usted debe conectar primero la tubería de presión baja, luego la tubería de presión alta.

1. Cuando conecta las tuercas abocardadas, aplique una leve capa de aceite de refrigeración a las puntas abocardadas de las tuberías.
2. Alinee el centro de las dos tuberías que conectará.



3. Apriete la tuerca abocinada lo más fuerte posible con la mano.
4. Con una llave, sujete la tuerca en el tubo de la unidad.
5. Mientras sujeta firmemente la tuerca, use una llave dinamométrica para apretar la tuerca abocardada de acuerdo con los valores de torque en la tabla anterior.

NOTA: Use tanto una llave como una pinza cuando conecte o desconecte las tuberías de/a la unidad.



PRECAUCIÓN

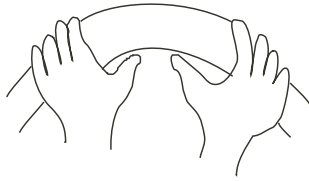
- Envuelva con material aislante alrededor de la tubería. Contacto directo con la tubería puede resultar en quemaduras o congelamientos.
- Asegúrese que la tubería está propiamente conectada. Sobre presionarlo puede dañar el montaje de la tubería y si no lo aprieta lo suficientemente fuerte pueden aparecer fugas.

Conexión de la tubería de refrigerante

NOTA SOBRE EL RADIO DE CURVATURA MÍNIMO

Doble cuidadosamente la tubería en el medio de acuerdo con el diagrama siguiente. **NO** doble la tubería más de 90° o más de 3 veces.

Doble la tubería con el pulgar



Radio-min 10cm (3,9")

6. Luego de conectar las tuberías de cobre a la unidad interior, ate el cable de potencia, el cable de señal y la tubería con cinta de pegar.

NOTA: **NO** entrelaza el cable de señal con otros cables. Cuando esté construyendo estos ítems juntos, no mezcle o cruce el cable de señal con cualquier otro cableado.

7. Pase esta tubería a través de la pared y conéctela a la unidad exterior.
8. Aislé toda la tubería, incluyendo las manijas de la unidad exterior.
9. Abra las manijas de la unidad exterior para permitir el flujo del refrigerante entre la unidad interior y la unidad exterior.

PRECAUCIÓN

Asegúrese de que no haya ninguna fuga de refrigerante después de completar el trabajo de instalación. Si hay fuga de refrigeración, ventile el área inmediatamente y evacúe el sistema (refiérase a la sección de Evacuación de Aire en este manual).

Cableado

! ANTES DE HACER CUALQUIER TRABAJO ELÉCTRICO, LEA ESTAS REGULACIONES

1. Todos los cableados deben cumplir con los códigos locales y nacionales, y sus regulaciones, y deben ser instalados por un electricista matriculado.
2. Todas las conexiones eléctricas deben realizarse de acuerdo con el Diagrama de Conexiones Eléctricas en los paneles de las unidades interior y exterior.
3. Si hay algún problema de seguridad con la electricidad, deje de trabajar inmediatamente. Explique su razonamiento al cliente, y niéguese a instalar la unidad hasta que el problema de seguridad haya sido resuelto.
4. El voltaje de alimentación debe estar dentro del 90-110% del voltaje nominal. La fuente de alimentación insuficiente puede causar mal funcionamiento, descargas eléctricas o incendios.
5. Si conecta la alimentación al cableado fijo, instale un protector contra sobretensiones y un interruptor de alimentación principal.
6. Si conecta la alimentación al cableado fijo, debe incorporarse un interruptor o disyuntor que desconecte todos los polos y tenga una separación de contactos de al menos 1/8 pulgada (3 mm) en el cableado fijo. El técnico calificado debe usar un interruptor de circuito o interruptor aprobado.
7. Conecte la unidad solo a una salida de circuito derivado individual. No conecte otro aparato a esa salida.
8. Asegúrese que el aire acondicionado está adecuadamente conectado a tierra.
9. Cada cable debe estar firmemente conectado. Cableado suelto puede ocasionar que la terminal se sobrecaliente, resultando en un fallo del producto y posible incendio.
10. No deje cables sueltos tocarse o apoyarse sobre la tubería refrigerante, el compresor, o cualquier parte móvil de la unidad.
11. Si la unidad tiene un calentador eléctrico auxiliar, debe instalarse al menos a 1 metro (40pulg.) de cualquier material combustible.

12. Para evitar recibir una descarga eléctrica, nunca toque los componentes eléctricos al poco tiempo de que se haya cortado la energía eléctrica. Luego de cortar la energía eléctrica, siempre espere 10 minutos o más antes de tocar los componentes eléctricos.
13. Asegúrese que no cruza los cables eléctricos con su cable de señal. Esto puede ocasionar distorsión e interferencia.
14. La unidad debe ser conectada a la salida principal. Normalmente, la fuente de alimentación debe tener una impedancia de 32 ohms.
15. Ningún otro equipamiento debe estar conectado al mismo circuito eléctrico.
16. Conecte los cables exteriores antes de conectar los cables interiores.

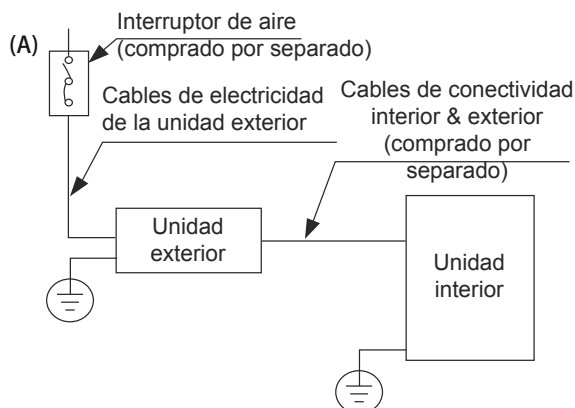
! ADVERTENCIA

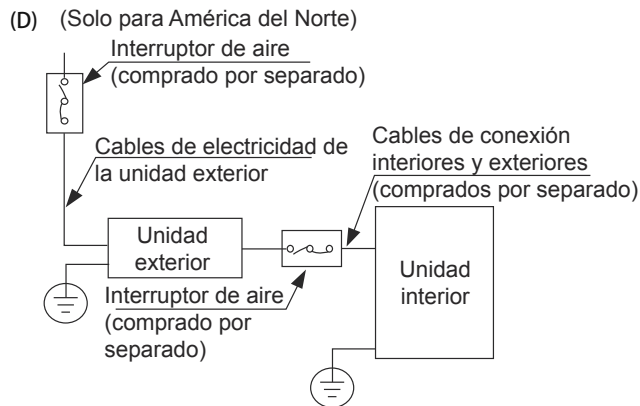
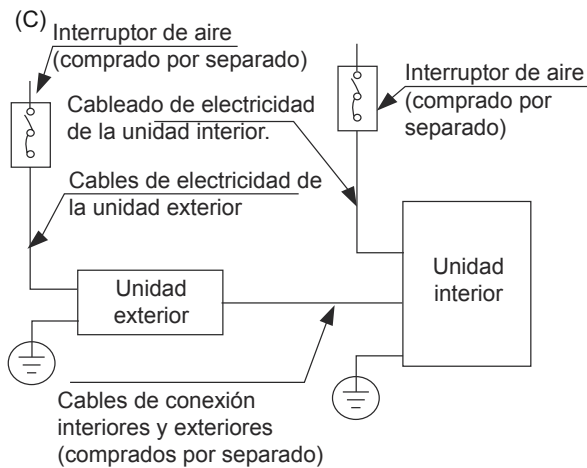
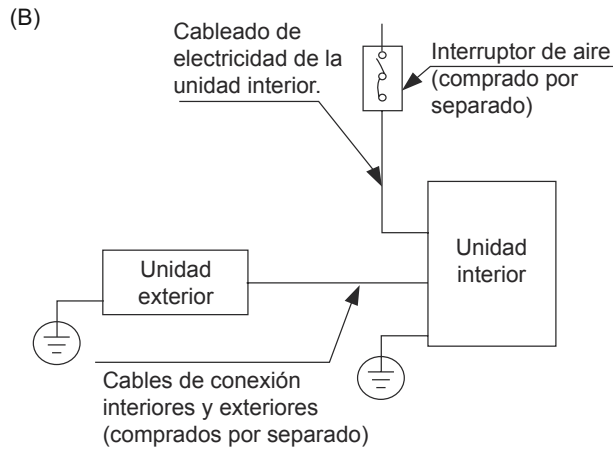
ANTES DE REALIZAR CUALQUIER TRABAJO ELÉCTRICO O DE CABLEADO, APAGUE LA FUENTE DE ALIMENTACIÓN PRINCIPAL DEL SISTEMA.

NOTA SOBRE EL INTERRUPTOR DE AIRE

Cuando la corriente máxima del aire acondicionado es superior a 16 A, se debe usar un interruptor de aire o un interruptor de protección contra fugas con dispositivo de protección (adquirido por separado). Cuando la corriente máxima del aire acondicionado es inferior a 16 A, el cable de alimentación del aire acondicionado debe estar equipado con un enchufe (comprado por separado).

En el mercado de América del Norte se realiza el cableado de acuerdo con los requisitos de NEC y CEC.





NOTA: Los diagramas son solo para fines explicativos. Su máquina podría ser ligeramente diferente. Prevalecerá la forma actual.

Cableado de la unidad exterior

ADVERTENCIA

Antes de llevar a cabo cualquier trabajo eléctrico, apague la electricidad del sistema.

1. Prepare el cable para la conexión
 - a. Primero debe elegir el tamaño de cable correcto. Asegúrese de usar cables H07RN-F.

NOTA: En América del Norte, elija el tipo de cable según los códigos y reglamentos eléctricos locales.

Área mínima de sección transversal de los cables de alimentación y señal (para referencia)

Corriente nominal del aparato (A)	Área de sección transversal nominal (mm ²)
> 3 y ≤ 6	0,75
> 6 y ≤ 10	1
> 10 y ≤ 16	1,5
> 16 y ≤ 25	2,5
> 25 y ≤ 32	4
> 32 y ≤ 40	6

ELEGIR EL TAMAÑO DE CABLE CORRECTO

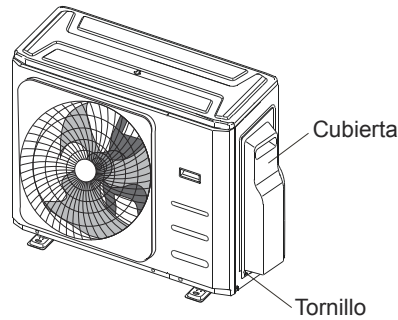
El tamaño del cable de la fuente de alimentación, el cable de señal, el fusible y el interruptor necesarios está determinado por la corriente máxima de la unidad. La corriente máxima se indica en la placa de identificación en el panel lateral de la unidad. Consulte esta placa de identificación para seleccionar el cable, fusible o interruptor correctos.

NOTA: En América del Norte, seleccione el cable correcto según la Ampicidad Mínima de Circuito indicado en la placa de identificación de la unidad.

- b. Usando pelacables, pele la cubierta de goma de ambos extremos del cable de señal para revelar aproximadamente 15 cm (5,9") de alambre.
- c. Pele el aislamiento de los extremos.
- d. Usando un engarzador de alambre, engarce las orejetas en U en los extremos.

NOTA: Cuando conecte los cables, siga estrictamente el diagrama de cableado que se encuentra dentro de la cubierta de la caja eléctrica.

2. Remueva la cubierta eléctrica de la unidad exterior. Si no hay cubierta en la unidad exterior, retire los tornillos de la placa de mantenimiento y retire la placa de protección.



3. Conecte las lengüetas en U a los terminales Haga coincidir los colores / etiquetas de los cables con las etiquetas en el bloque de terminales y atornille firmemente la lengüeta en U de cada cable a su terminal correspondiente.
4. Sujete el cable con la abrazadera de cable designada.
5. Aísle los cables sin usar con cinta aislante. Manténgalos alejados de cualquier parte eléctrica o metálica.
6. Reinstale la cubierta de la caja eléctrica de control.

Declaración armónica

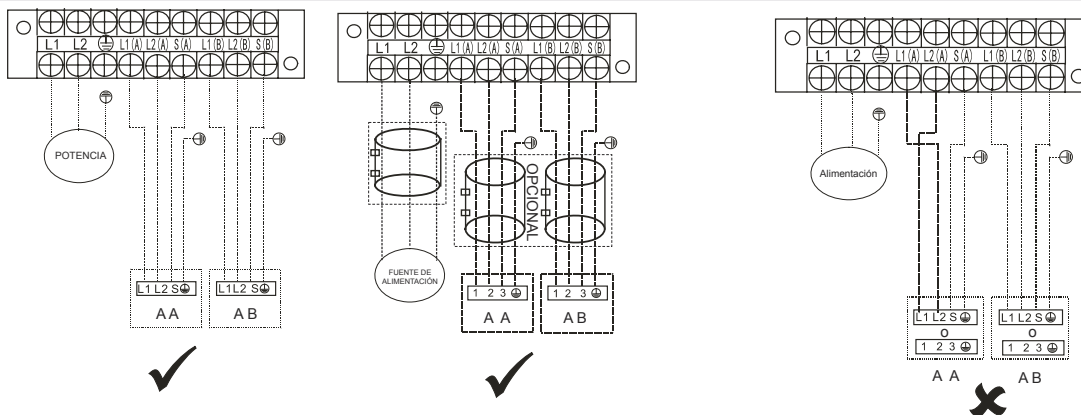
"El equipo M4OB-36HFN8-Q cumple con IEC 61000-3-12 siempre que la potencia de cortocircuito sea mayor o igual a 4787737.5 en el punto de interfaz entre el suministro del usuario y el sistema público. Es responsabilidad del instalador o usuario del equipo asegurarse, mediante consulta con el operador de la red de distribución si es necesario, de que el equipo está conectado solo a una fuente de alimentación de cortocircuito mayor o igual a 4787737.5."

"El equipo M5OD-42HFN8-Q cumple con IEC 61000-3-12 siempre que la potencia de cortocircuito sea mayor o igual a 3190042.5 en el punto de interfaz entre el suministro del usuario y el sistema público. Es responsabilidad del instalador o usuario del equipo asegurarse, mediante consulta con el operador de la red de distribución si es necesario, de que el equipo está conectado solo a una fuente de alimentación de cortocircuito mayor o igual a 3190042.5."

Figura de cableado

⚠ ADVERTENCIA

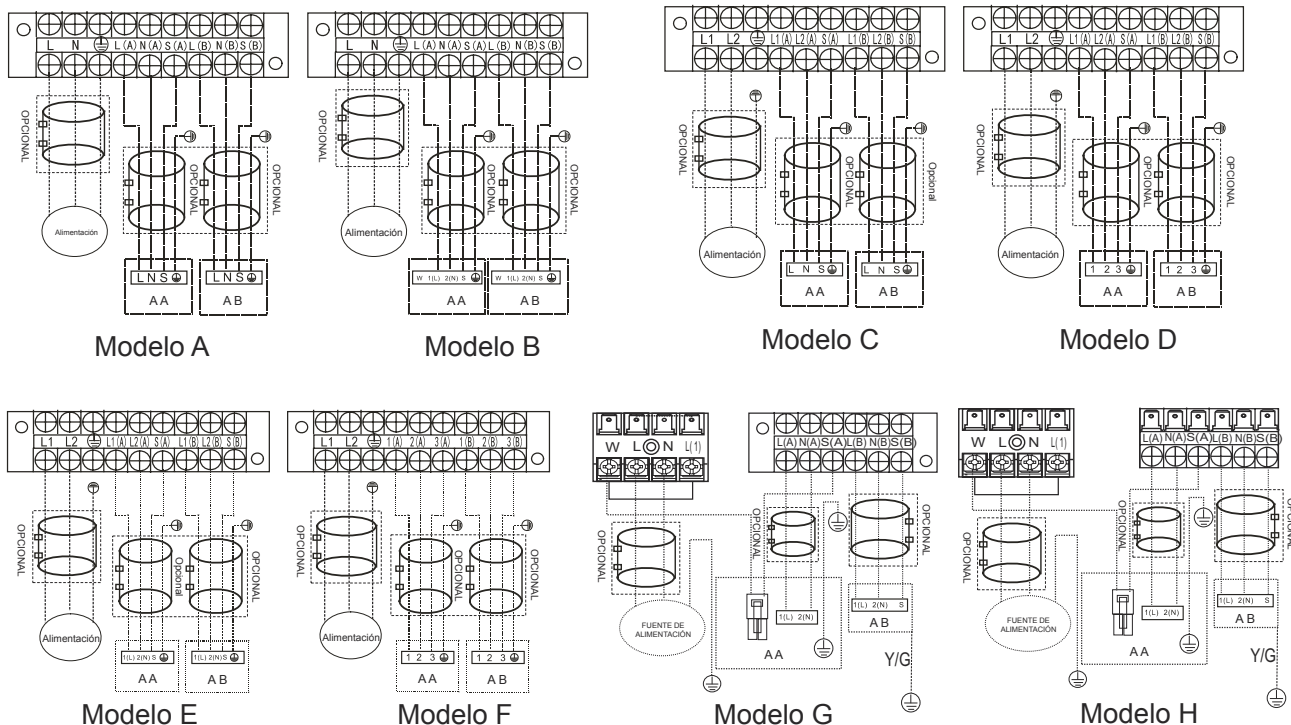
Conecte los cables de conexión a los terminales, como identificados, con números correspondientes en el bloque de terminales de las unidades interior y exterior. Por ejemplo, el terminal L1(A) de la unidad exterior debe conectarse con el terminal L1/1 de la unidad interior. La unidad exterior puede coincidir con diferentes tipos de unidad interior, por eso, los números en el bloque de terminales de la unidad interior pueden ser ligeramente diferentes. Preste especial atención al conectar el cable.



NOTA: Para modelos de conector rápido, consulte el Manual de Propietario y el Manual de Instalación adjuntados con la unidad interior.

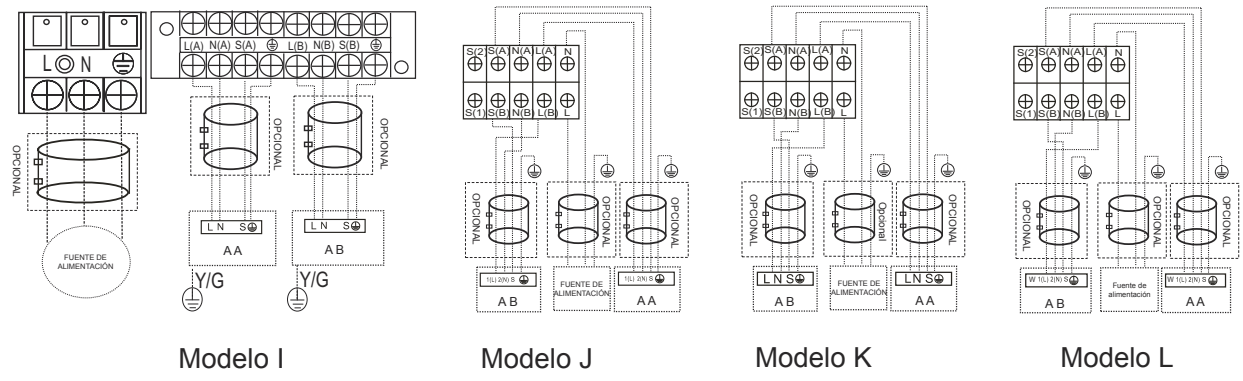
NOTA: Consulte las siguientes figuras si los usuarios finales desean realizar su propio cableado. Pase el cable de alimentación principal a través de la salida de línea inferior de la abrazadera del cable. --- Este símbolo indica el cableado del campo.

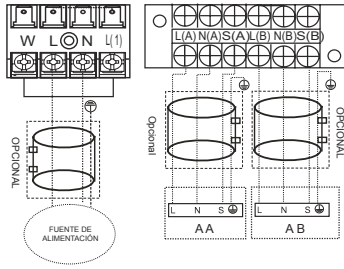
Modelos: Uno-dos



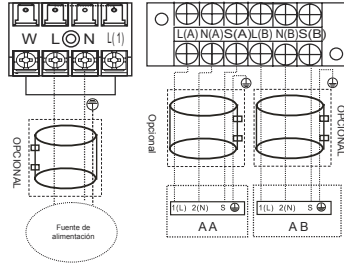
NOTA: Use el anillo magnético (no suministrado, parte opcional) para enganchar el cable de conexión de las unidades interiores y exteriores después de la instalación. Se usa un anillo magnético para un cable.

Cableado

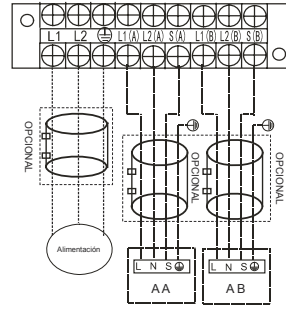




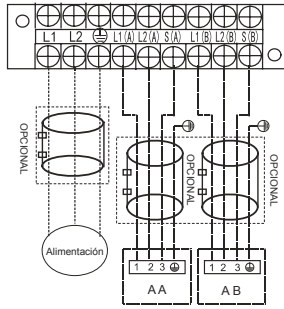
Modelo M



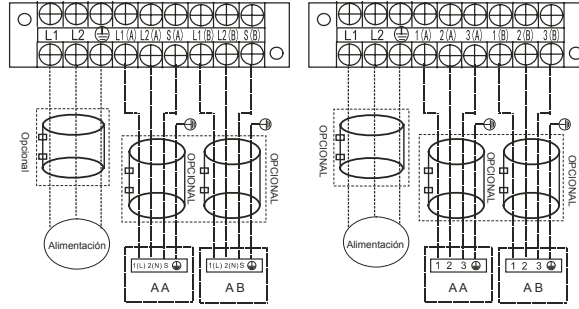
Modelo N



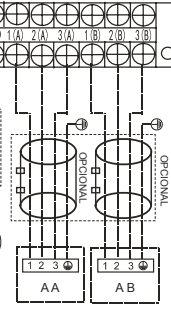
Modelo O



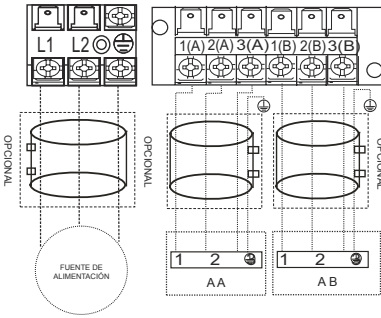
Modelo P



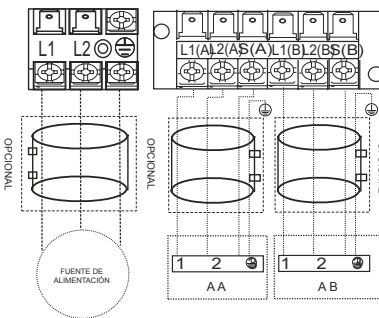
Modelo N



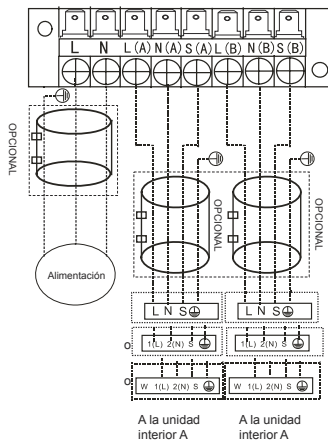
Modelo O



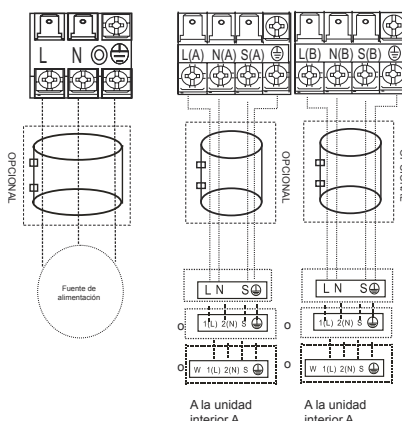
Modelo S



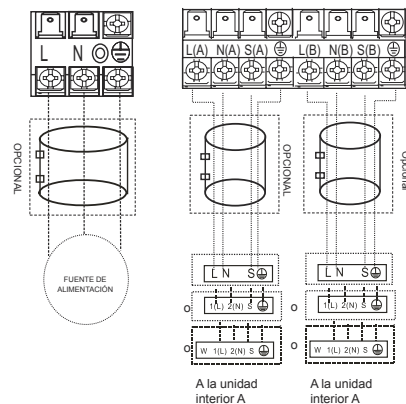
Modelo T



Modelo U

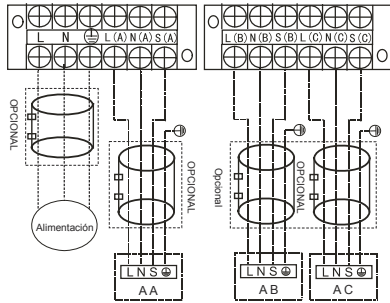


Modelo V

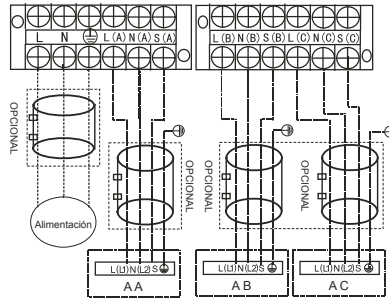


Modelo W

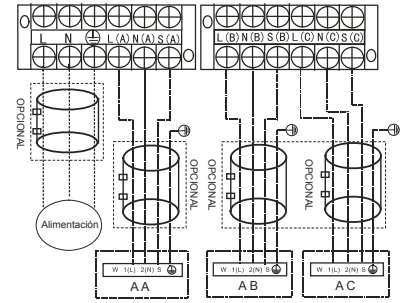
Modelos uno-tres:



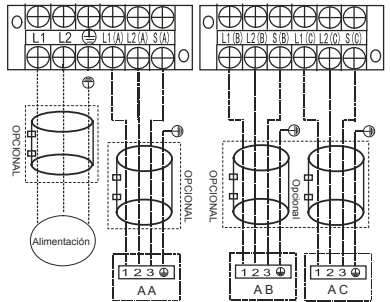
Modelo A



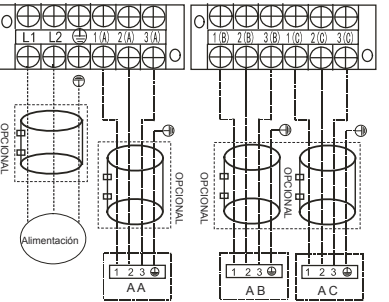
Modelo B



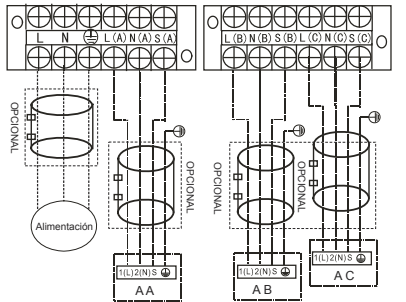
Modelo C



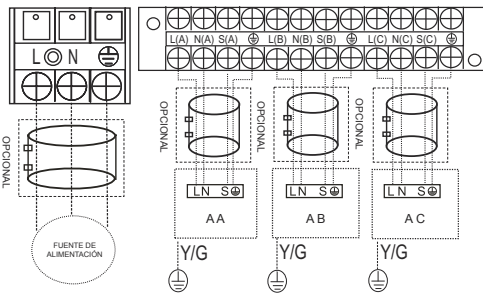
Modelo D



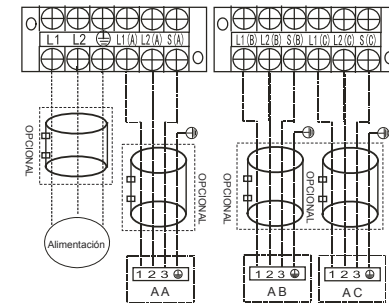
Modelo E



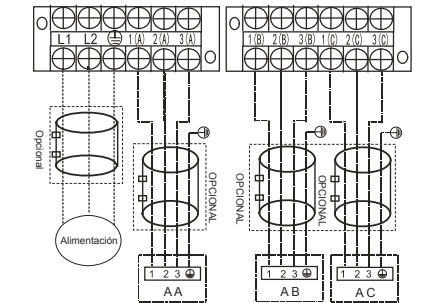
Modelo F



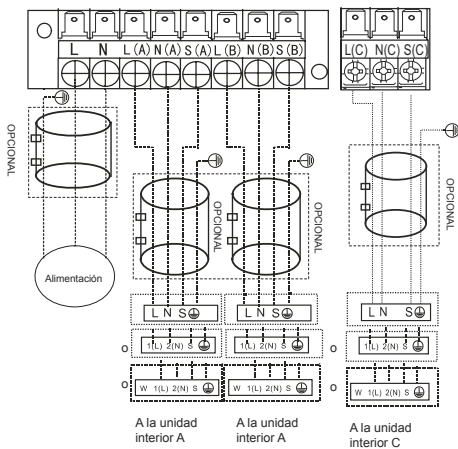
Modelo G



Modelo H



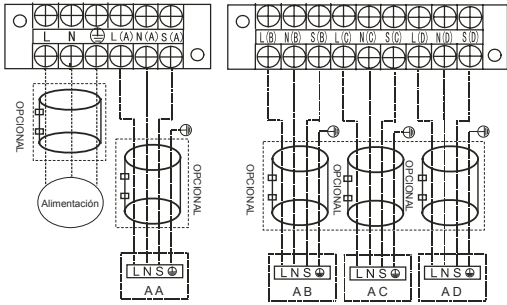
Modelo I



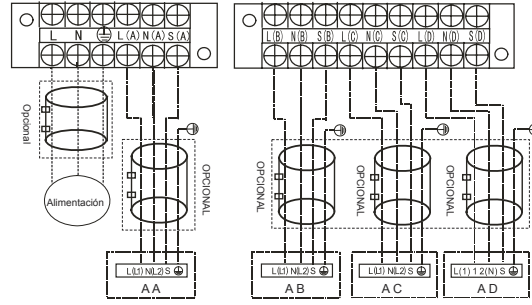
Modelo J

Cableado

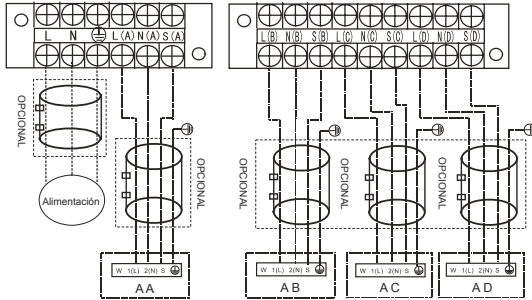
Modelos uno-cuatro:



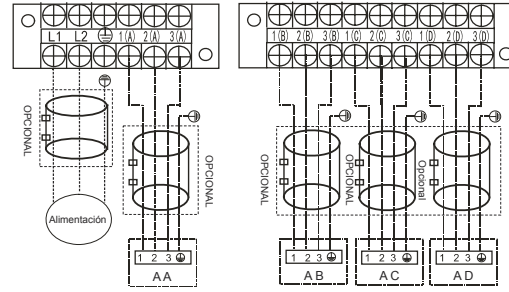
Modelo A



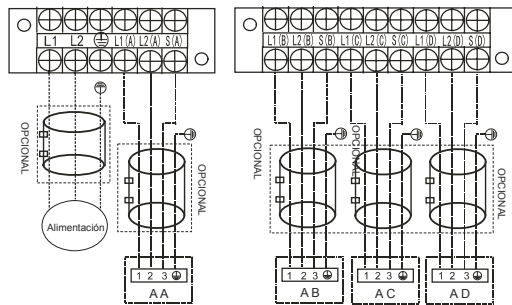
Modelo B



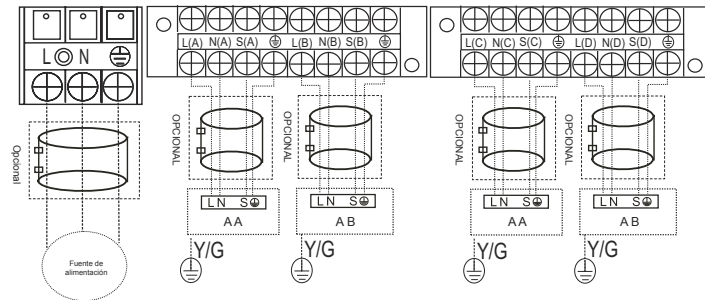
Modelo C



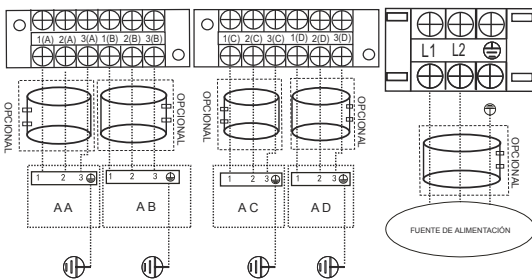
Modelo D



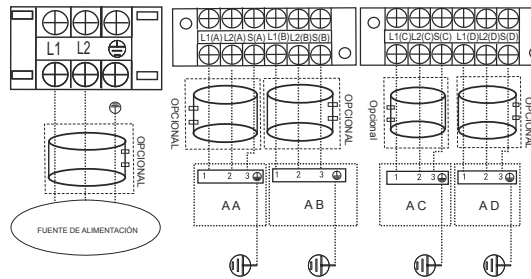
Modelo E



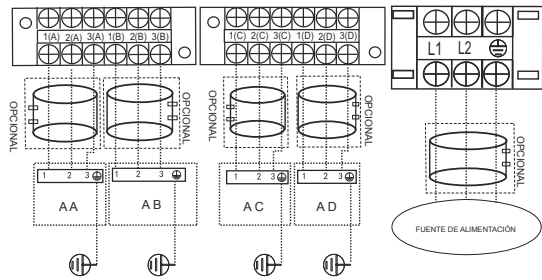
Modelo F



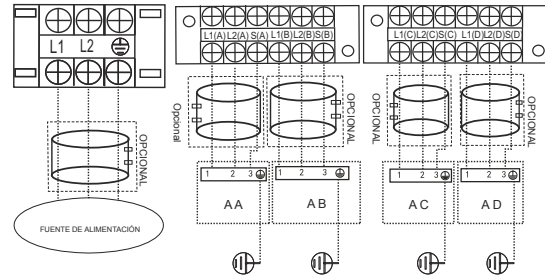
Modelo G



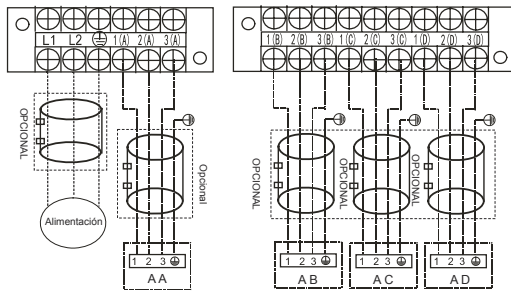
Modelo H



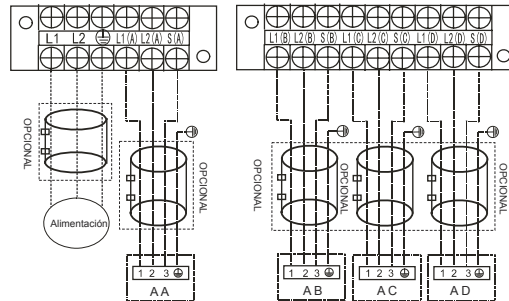
Modelo I



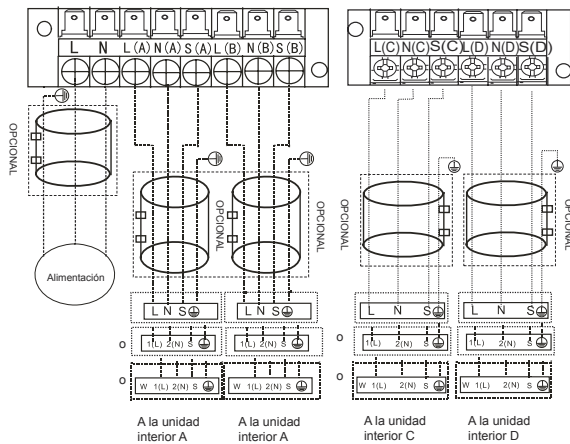
Modelo J



Modelo K

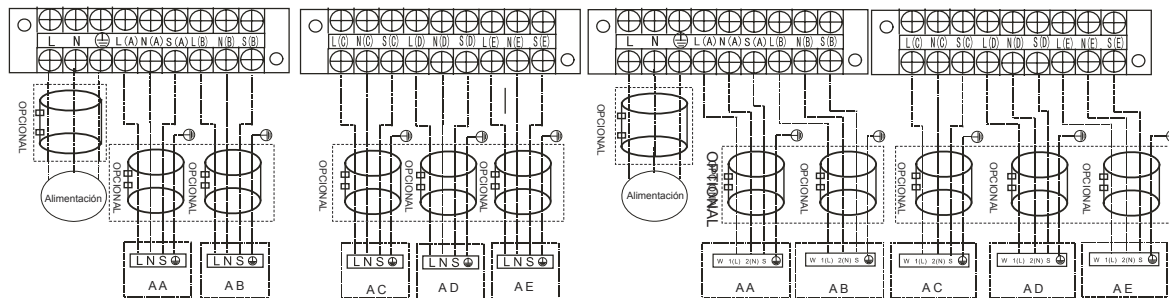


Modelo L



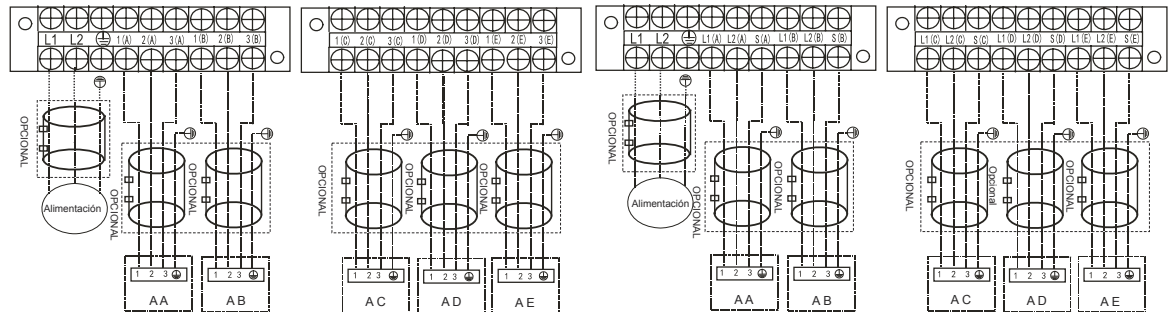
Modelo M

Modelos uno - cinco:



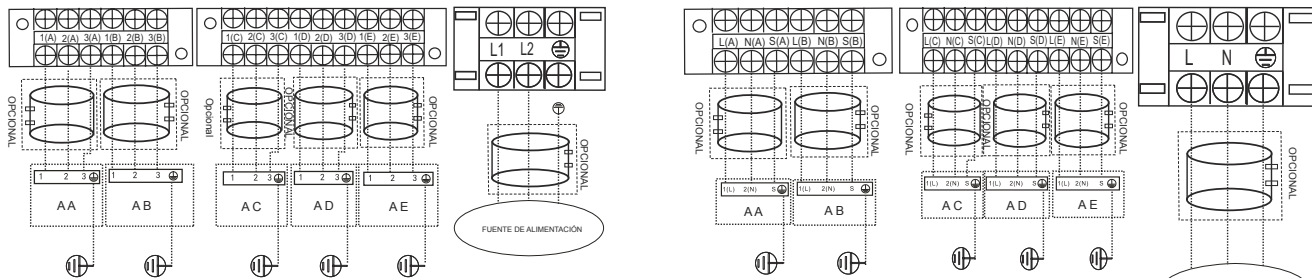
Modelo A

Modelo B



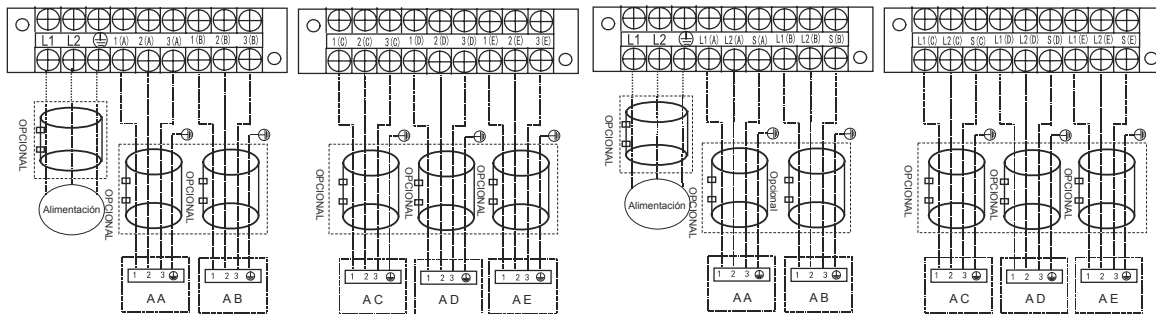
Modelo C

Modelo D



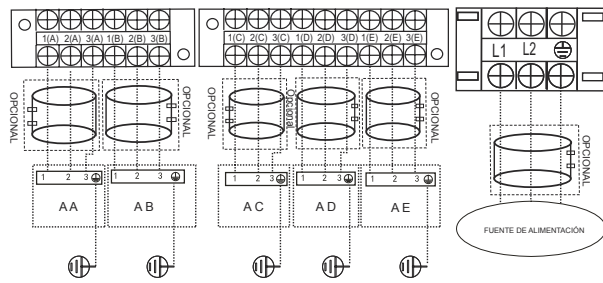
Modelo E

Modelo F

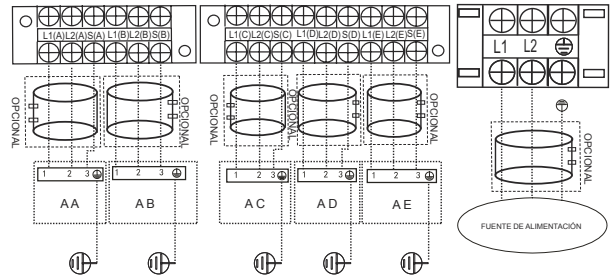


Modelo G

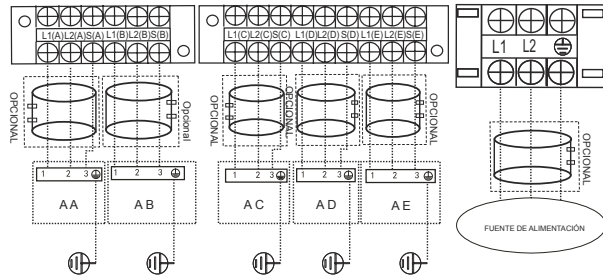
Modelo H



Modelo I



Modelo J



Modelo K

⚠ PRECAUCIÓN

Después de confirmar las condiciones anteriores, siga estas pautas cuando realice el cableado:

- Siempre tenga un circuito de alimentación individual específicamente para el aire acondicionado. Siempre siga el diagrama de circuito publicado en el interior de la cubierta de control.
- Los tornillos que sujetan el cableado en la carcasa de los accesorios eléctricos pueden aflojarse durante el transporte. Debido a que los tornillos flojos pueden causar el desgaste del cable, verifique que estén bien apretados.
- Verifique las especificaciones de la fuente de energía.
- Confirme que la capacidad eléctrica es suficiente.
- Confirme que el voltaje de arranque se mantiene en más del 90% del voltaje nominal marcado en la placa de identificación.
- Confirme que el grosor del cable es como se especifica en las especificaciones de la fuente de alimentación.
- Siempre instale un disyuntor de fuga a tierra en áreas húmedas o mojadas.
- Lo siguiente puede ser causado por una caída de voltaje: vibración de un interruptor magnético, daño al punto de contacto, fusibles rotos y alteración del funcionamiento normal.
- La desconexión de una fuente de alimentación debe incorporarse al cableado fijo. Debe tener una separación de contacto de espacio de aire de al menos 3 mm en cada conductor activo (fase).
- Antes de acceder a los terminales, todos los circuitos de alimentación deben estar desconectados.

NOTA:

Para cumplir con las regulaciones obligatorias de EMC, requeridas por el estándar internacional CISPR 14-1: 2005 / A2: 2011 en países o distritos específicos, asegúrese de aplicar los anillos magnéticos correctos en su equipo de acuerdo con el diagrama de cableado que se adhiere a tu equipo.

Póngase en contacto con su distribuidor o instalador para obtener más información y comprar anillos magnéticos (el proveedor del anillo magnético es TDK (modelo ZCAT3035-1330) o similar).

Evacuación de aire

Preparaciones y Precauciones

El aire y las materias extrañas en el circuito refrigerante pueden causar aumentos anormales de la presión, lo que puede dañar el aire acondicionado, reducir su eficiencia y causar lesiones. Use una bomba de vacío y un medidor múltiple para evacuar el circuito refrigerante, eliminando cualquier gas no condensable y humedad del sistema.

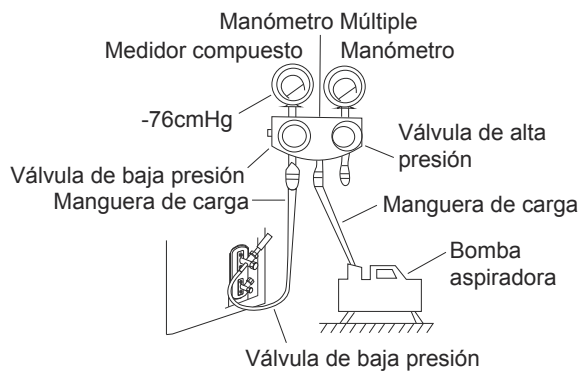
La evacuación debe realizarse en la instalación inicial y cuando la unidad se reubica.

ANTES DE REALIZAR LA EVACUACIÓN

- ☑ Compruebe para asegurarse de que los tubos de conexión entre las unidades interior y exterior estén conectados correctamente.
- ☑ Verifique para asegurarse de que todo el cableado esté conectado

Instrucciones de evacuación

Antes de usar un medidor múltiple y una bomba de vacío, lea sus manuales de operación para asegurarse de saber cómo usarlos correctamente.

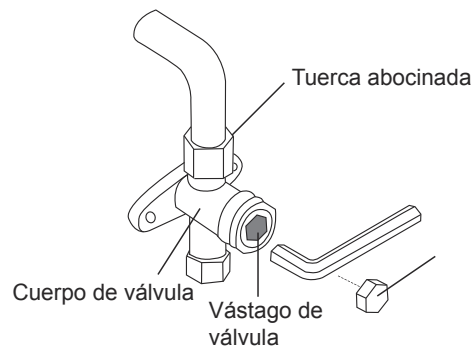


1. Conecte la manguera de carga del medidor múltiple al puerto de servicio en la válvula de baja presión de la unidad exterior.
2. Conecte la manguera de carga del medidor múltiple desde la bomba de vacío.
3. Abra el lado de Presión Baja del manómetro múltiple. Mantenga cerrado el lado de alta presión.
4. Encienda la bomba de vacío para evacuar el sistema.
5. Ejecute el vacío durante al menos 15 minutos, o hasta que el medidor compuesto lea -76cmHG (-1x105Pa).

6. Cierre la válvula de baja presión del manómetro múltiple y apague la bomba de vacío.
7. Espere 5 minutos, luego verifique que no haya cambios en la presión del sistema.

NOTA: Si no hay cambios en la presión del sistema, destornille la tapa de la válvula empaquetada (válvula de alta presión). Si hay un cambio en la presión del sistema, puede haber una fuga de gas.

8. Inserte una llave hexagonal en la válvula empaquetada (válvula de alta presión) y abra la válvula girando la llave 1/4 en sentido antihorario. Escuche si sale gas del sistema, luego cierre la válvula después de 5 segundos.



9. Observe el medidor de presión durante un minuto para asegurarse de que no haya cambios de presión. Debe leerse un poco más alta que la presión atmosférica.
10. Retire la manguera de carga del puerto de servicio.
11. Con una llave hexagonal, abra completamente las válvulas de alta y baja presión.

ABRA VÁSTAGOS DE LA VÁLVULA SUAVEMENTE

Al abrir los vástagos de las válvulas, gire la llave hexagonal hasta que toque el tope. **NO** intente forzar la válvula para que se abra más.

12. Apriete las tapas de las válvulas con la mano, luego apriételas con la herramienta adecuada.
13. Si la unidad exterior utiliza todas las válvulas de vacío, y la posición de vacío está en la válvula principal, el sistema no está conectado con la unidad interior. La válvula debe apretarse con una tuerca de tornillo. Verifique si hay fugas de gas antes de la operación para evitar fugas.

Nota de la adición de refrigerante

PRECAUCIÓN

- La carga de refrigerante debe realizarse después del cableado, la aspiración y la prueba de fugas.
- **NO** exceda la cantidad máxima permitida de refrigerante ni sobrecargue el sistema. Hacerlo puede dañar la unidad o afectar su funcionamiento.
- La carga de sustancias inadecuadas puede causar explosiones o accidentes. Asegúrese de utilizar el refrigerante apropiado.
- Los recipientes de refrigerante deben abrirse lentamente. Siempre use equipo de protección cuando cargue el sistema.
- **NO** mezcle los refrigerantes de tipos diferentes.
- Para el modelo de refrigerante R290 o R32, asegúrese de que las condiciones dentro del área estén seguras mediante el control de material inflamable cuando el refrigerante se agrega al aire acondicionado.

N = 2 (modelos uno- gemelo), N = 3 (modelos uno- tres), N = 4 (modelos uno-cuatro), N = 5 (modelos uno-cinco). Dependiendo de la longitud de la tubería conectiva o de la presión del sistema evacuado, necesitará agregar refrigerante. Consulte la tabla a continuación para conocer las cantidades de refrigerante que se agregarán:

REFRIGERANTE ADICIONAL POR LONGITUD DE TUBO

Longitud de tubería conectiva (m)	Método de purga de aire	Refrigerante adicional	
Longitud de la tubería de precarga (pies / m) (longitud de la tubería de precarga xN)	Bomba Aspiradora	N/A	
Más de (longitud de la tubería de precarga xN) pies / m	Bomba Aspiradora	Lado del líquido Ø 6,35 (Ø 1/4") R32 (Longitud total de la tubería - longitud de la tubería de precarga xN) x12g / m (Longitud total de la tubería - longitud de la tubería de precarga xN) x0,13 onzas/pies	Lado del líquido Ø 9,52 (Ø 3/8") R32 (Longitud total de la tubería - longitud de la tubería de precarga xN) x24g / m (Longitud total de la tubería - longitud de la tubería de precarga xN) x0,26 onzas/pies
		Lado del líquido Ø 6,35 (Ø 1/4") R410A (Longitud total de la tubería - longitud de la tubería de precarga xN) x15g / m (Longitud total de la tubería - longitud de la tubería de precarga xN) x0,16 onzas/pies	Lado del líquido Ø 9,52 (Ø 3/8") R410A (Longitud total de la tubería - longitud de la tubería de precarga xN) x30g / m (Longitud total de la tubería - longitud de la tubería de precarga xN) x0,32 onzas/pies

NOTA: La longitud estándar de la tubería es de 7,5 m.

Sólo para modelos de Australia:

- **No** mezcle los refrigerantes de tipos diferentes.

N=2(modelos uno-gemelo), N=3(modelos uno-tres), N=4(modelos uno-cuatro), N=5(modelos uno-cinco). Algunos sistemas requieren carga adicional dependiendo del largo de las tuberías. La longitud estándar de la tubería es de 10m. El refrigerante adicional para ser cargado puede ser calculado usando la siguiente fórmula:

REFRIGERANTE ADICIONAL POR LONGITUD DE TUBO			
Longitud de tubería conectiva (m)	Método de purga de aire	Refrigerante adicional (R410A)	
Longitud de tubería inferior a la estándar x N	Bomba Aspiradora	N/A	
Longitud de tubería mayor a la estándar x N	Bomba Aspiradora	Lado del líquido Ø 6,35 (Ø 1/4") (Longitud total de la tubería - longitud de la tubería de precarga xN) x15g / m	Lado del líquido Ø 9,52 (Ø 3/8") (Longitud total de la tubería - longitud de la tubería de precarga xN) x30g / m

Asegúrese de eliminar la carga de refrigerante adicional de acuerdo con el volumen nominal (tubería de refrigerante de 5 m) cuando realice una prueba de verificación del mercado o del gobierno.

Verificación de seguridad y fugas

Verificaciones de seguridad eléctrica

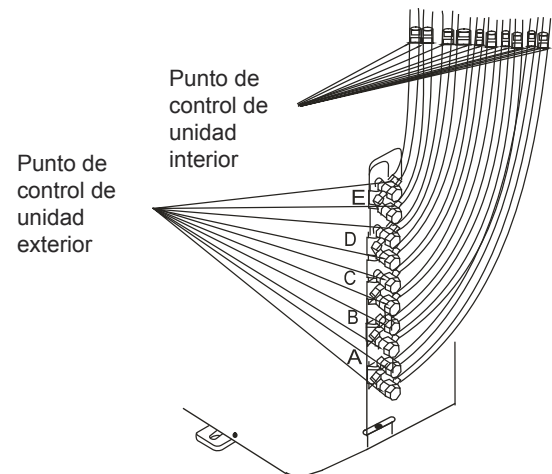
Realice la verificación de seguridad eléctrica después de completar la instalación. Cubrir las siguientes áreas:

1. Resistencia aislada
La resistencia aislada debe ser superior a $2M\Omega$.
2. Trabajo de descarga a tierra
Después de terminar el trabajo de conexión a tierra, mida la resistencia de conexión a tierra mediante detección visual y utilizando el probador de resistencia de conexión a tierra. Asegúrese de que la resistencia de descarga a tierra sea inferior a 4Ω .
3. Verificación de fugas eléctricas (durante la prueba mientras la unidad está encendida)
Durante una operación de prueba después de completar la instalación, use el detector de tensión y el multímetro para realizar una verificación de fugas eléctricas. Apague la unidad inmediatamente si ocurre una fuga. Intente y evalúe diferentes soluciones hasta que la unidad funcione correctamente.

Verificaciones de fugas de gas

1. Método de agua jabonosa:
Aplique una solución de agua y jabón o un detergente líquido neutro en la conexión de la unidad interior o en las conexiones de la unidad exterior con un cepillo suave para verificar si hay fugas en los puntos de conexión de la tubería. Si surgen burbujas, las tuberías están experimentando fugas.
2. Detector de fugas
Use el detector de fugas para verificar si hay fugas.

NOTA: La ilustración es solo a modo de ejemplo. El orden real de A, B, C, D y E en la máquina puede ser ligeramente diferente de la unidad que compró, pero la forma general seguirá siendo la misma.



A, B, C, D son puntos para el tipo uno-cuatro.
A, B, C, D y E son puntos para el tipo uno-cinco.

Puesta en marcha

Antes de la ejecución de prueba

Se debe realizar una ejecución de prueba después de que todo el sistema se haya instalado por completo. Confirme los siguientes puntos antes de realizar la prueba:

- a) Las unidades interiores y exteriores están instaladas correctamente.
 - b) Las tuberías y el cableado están conectados correctamente.
 - c) No hay obstáculos cerca de la entrada y salida de la unidad que puedan causar un bajo rendimiento o un mal funcionamiento del producto.
 - d) El sistema de refrigeración no tiene fugas.
 - e) El sistema de drenaje no tiene impedimentos y drena a un lugar seguro.
 - f) El aislamiento de calefacción está instalado correctamente.
 - g) Los cables de conexión a tierra están conectados correctamente.
 - h) Se ha registrado la longitud de la tubería y la capacidad adicional de almacenamiento de refrigerante.
 - i) El voltaje de alimentación es el voltaje correcto para el aire acondicionado.
 - f. Verifique que el sistema de drenaje no tenga impedimentos y que drene suavemente.
 - g. Asegúrese de que no haya vibraciones o ruidos anormales durante la operación.
5. Para la unidad exterior
- a. Verifique si el sistema de refrigeración tiene fugas.
 - b. Asegúrese de que no haya vibraciones o ruidos anormales durante la operación.
 - c. Asegúrese de que el viento, el ruido y el agua generados por la unidad no molesten a sus vecinos ni representen un peligro para la seguridad.

NOTA: Si la unidad funciona mal o no funciona de acuerdo con sus expectativas, consulte la sección Solución de problemas del Manual de Propietario antes de llamar al servicio al cliente.

PRECAUCIÓN

Si no realiza la ejecución de la prueba, puede provocar daños en la unidad, daños a la propiedad o lesiones personales.

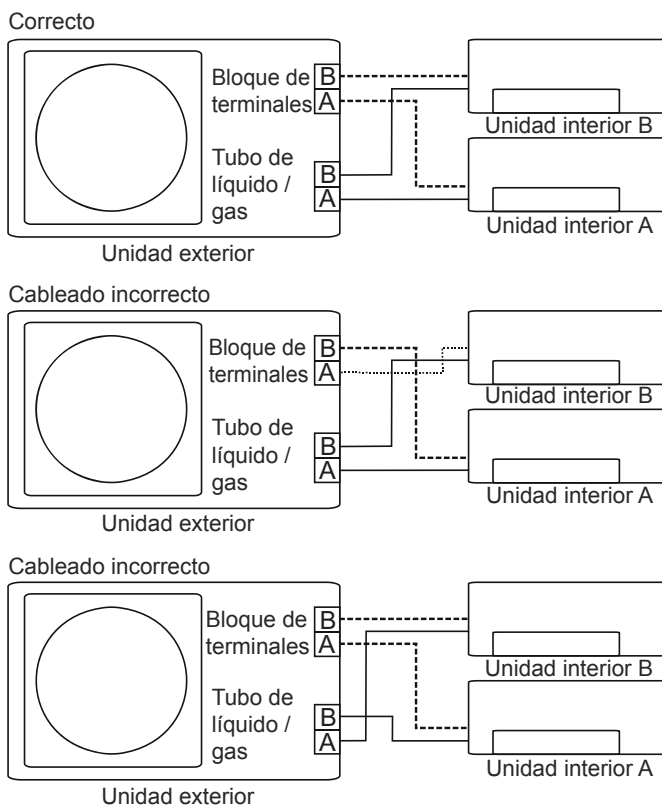
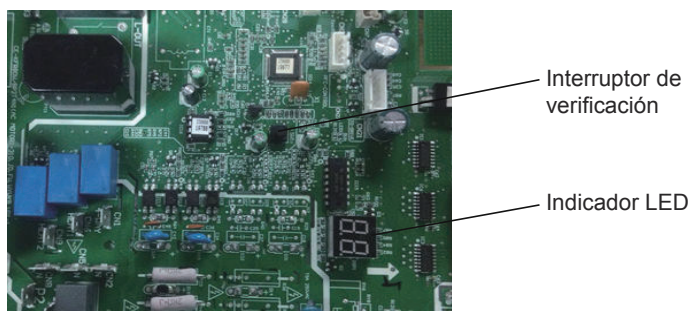
Instrucciones de la puesta en marcha

1. Abra las válvulas de cierre de líquido y gas.
2. Encienda el interruptor de alimentación principal y permita que la unidad se caliente.
3. Configurar el aire acondicionado en modo COOL(REFRIGERACIÓN).
4. Para la unidad interior
 - a. Asegúrese de que el mando a distancia y sus botones funcionen correctamente.
 - b. Asegúrese de que las rejillas se muevan correctamente y se puedan cambiar con el mando a distancia.
 - c. Vuelva a verificar si la temperatura ambiente se está registrando correctamente.
 - d. Asegúrese de que los indicadores del mando a distancia y el panel de visualización de la unidad interior funcionen correctamente.
 - e. Asegúrese de que los botones manuales de la unidad interior funcionen correctamente.

Función de corrección automática de cableado / tuberías

Función de corrección automática de cableado / tuberías

Los modelos más recientes ahora cuentan con corrección automática de errores de cableado / tuberías. Presione el "interruptor de verificación" en la placa PCB de la unidad exterior durante 5 segundos hasta que el LED muestre "CE", lo que indica que esta función está funcionando, aproximadamente 5-10 minutos después de presionar el interruptor, el "CE" desaparece, lo que significa que el error de cableado / tubería se corrige y todo el cableado / tubería está correctamente conectado.



Cómo activar esta función

1. Compruebe que la temperatura exterior sea superior a 5 °C.
(Esta función no funciona cuando la temperatura exterior no es superior a 5 °C)
2. Verifique que las válvulas de cierre de la tubería de líquido y de gas estén abiertas.
3. Encienda el interruptor y espere al menos 2 minutos.
4. Presione el interruptor de verificación en la pantalla LED del tablero PCB externo de la unidad "CE".

www.premiumlevella.com